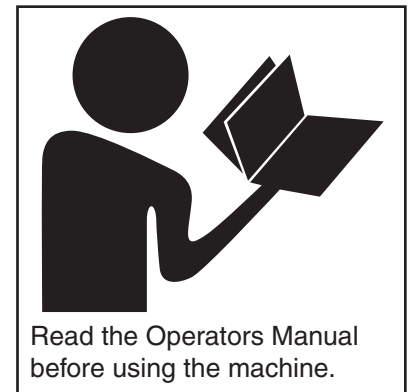
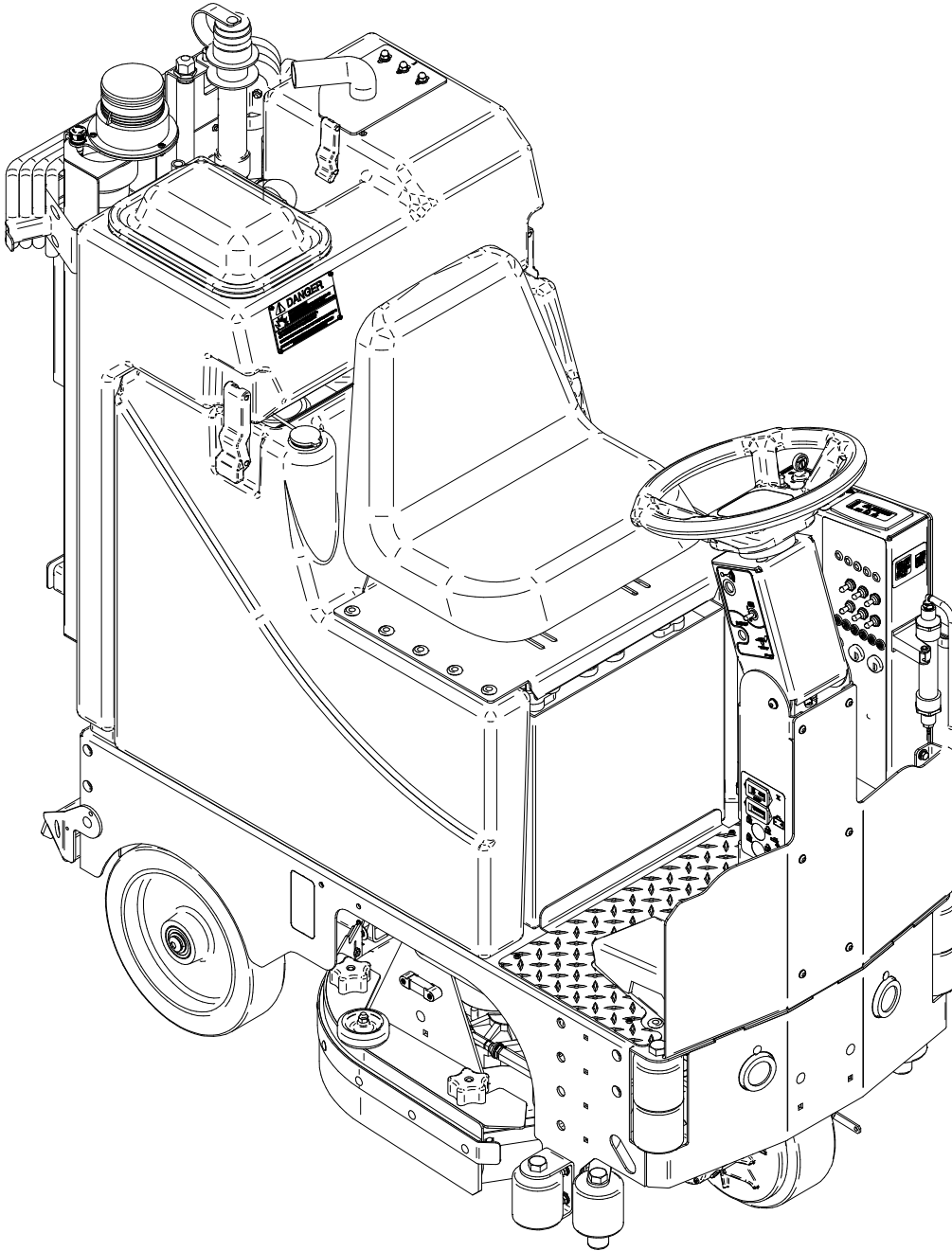


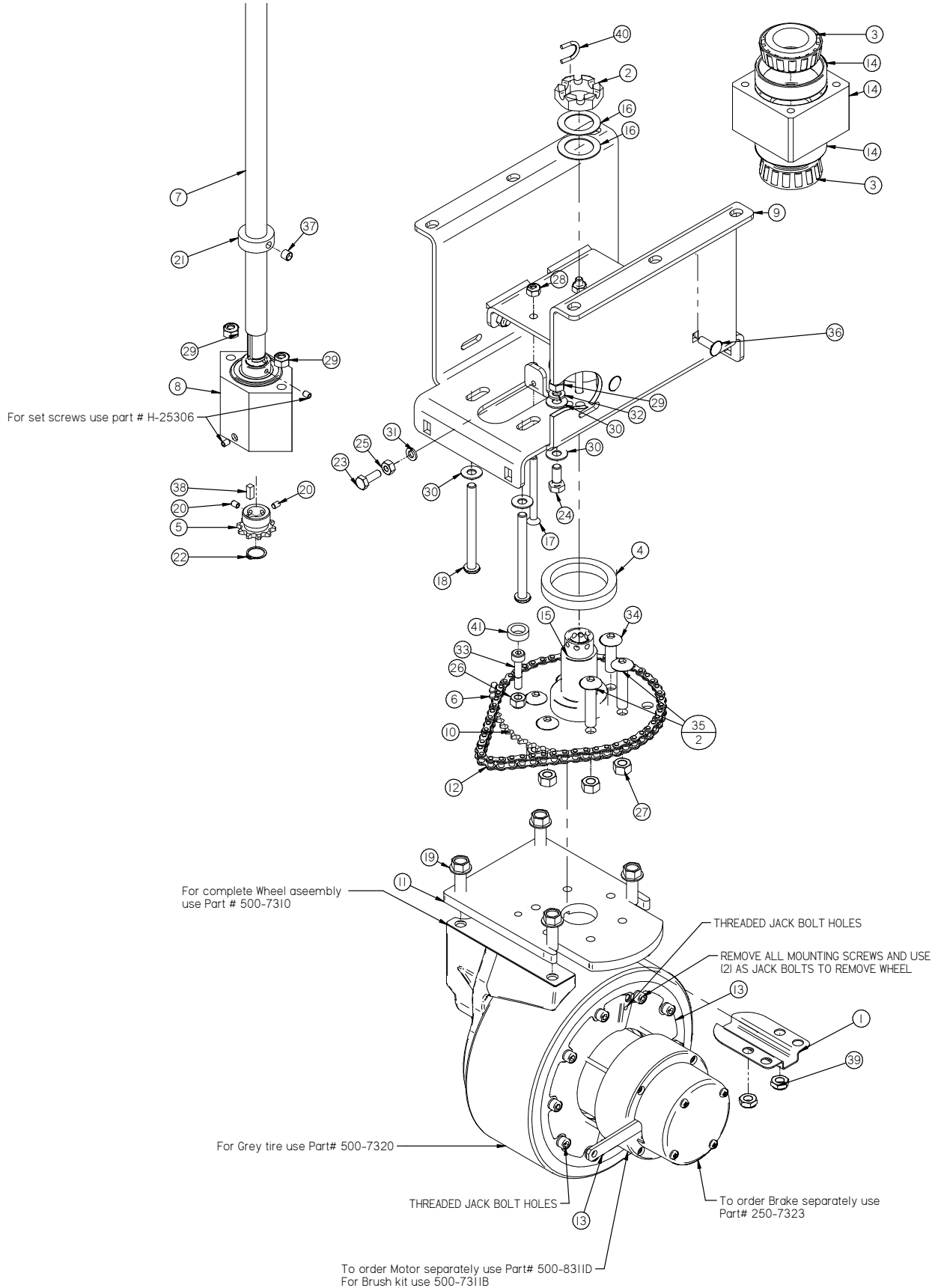
TOMCAT

PRO v2.0

Parts Manual (EN)

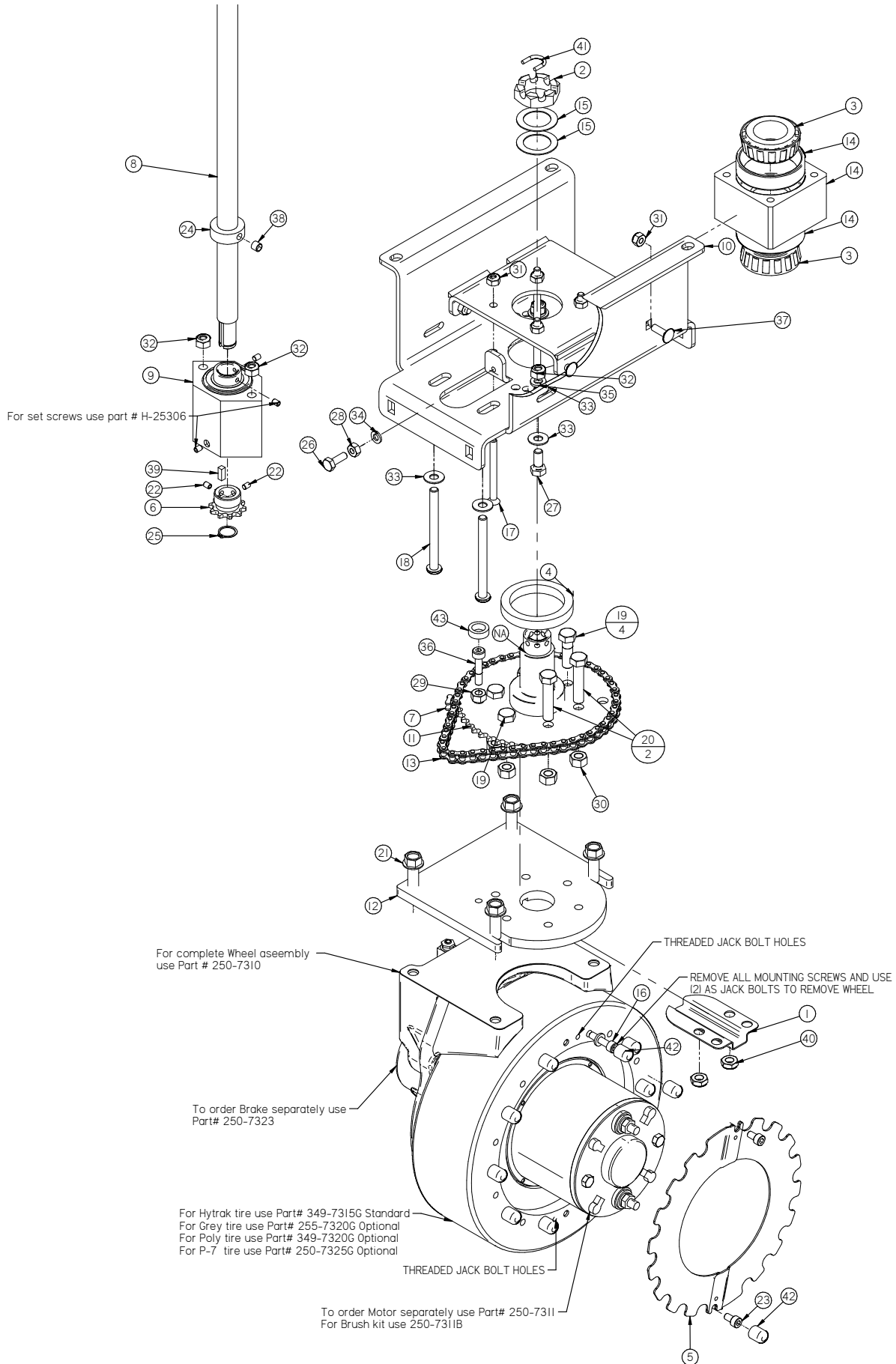


8 Inch Front Wheel Assembly.....	4
10 Inch Front Wheel Assembly.....	6
Solution System.....	8
Solution & SprayJet.....	9
Disk Decks.....	10
Scrubdeck Actuator Lift.....	11
Disk Deck Shrouds.....	12
Cylindrical Deck Side Wipers.....	13
Inch Cylindrical Deck.....	14
Cylindrical Deck Idler Doors.....	16
EDGE Deck Wipers.....	17
EDGE Deck Lift Arms.....	18
Squeegee Drag Plate.....	20
Squeegee Trail Arm and Rear Axle.....	21
Central Command / Steering Upright.....	22
Steering Upright.....	23
Legacy Central Command.....	24
Military Grade Central Command.....	26
Touch Screen Central Command.....	28
Attaching Tank and Batteries.....	30
Vacuum Muffler.....	31
Batteries and Charger Options.....	32
Solution Tank.....	33
Recovery Tank.....	34
Zero3 System.....	35
Solution Hoses.....	36
Squeegees.....	37
Common Wear Parts.....	38
Schematics.....	40
Decals.....	41



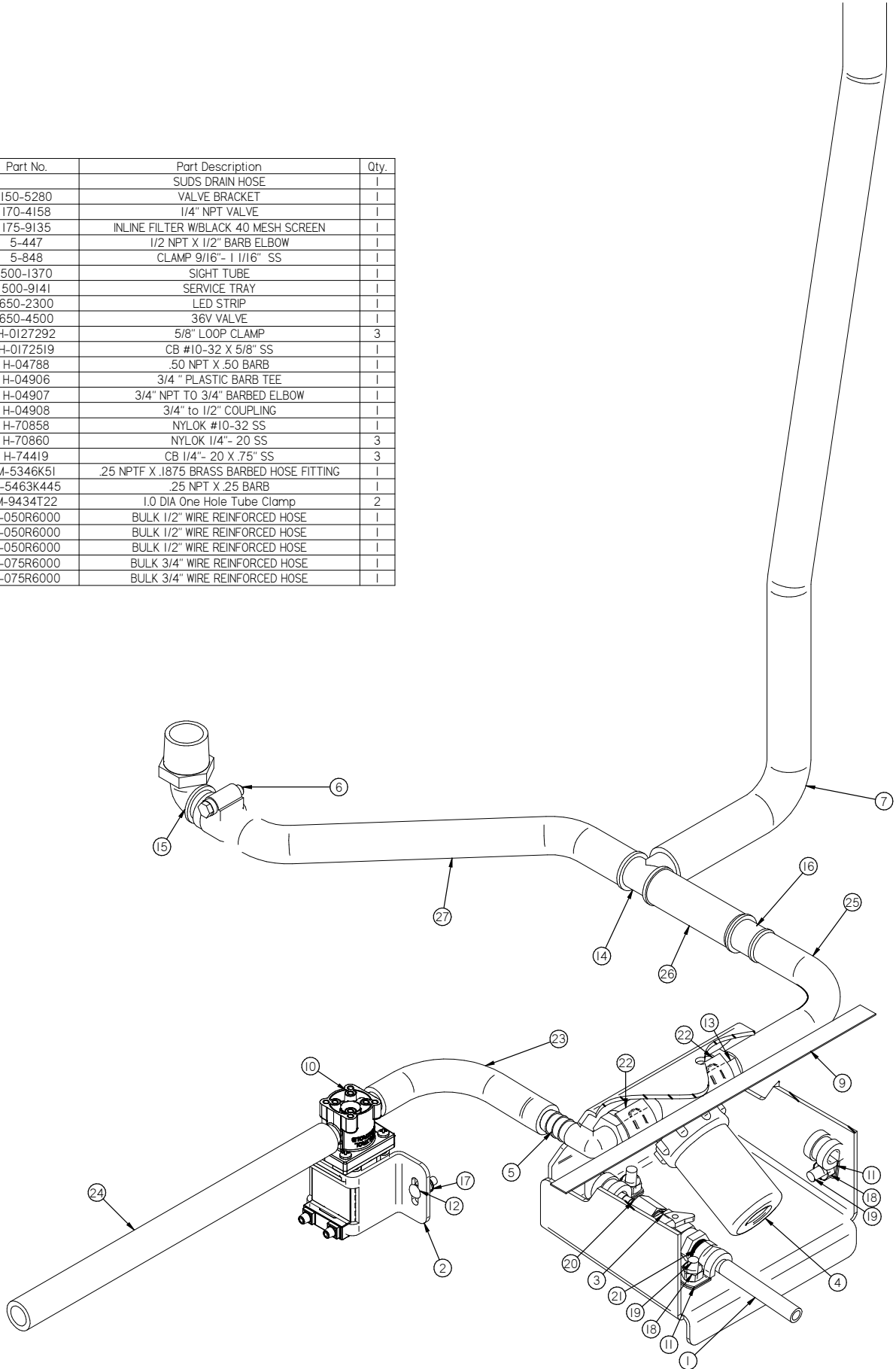
8 Inch Front Wheel Assembly

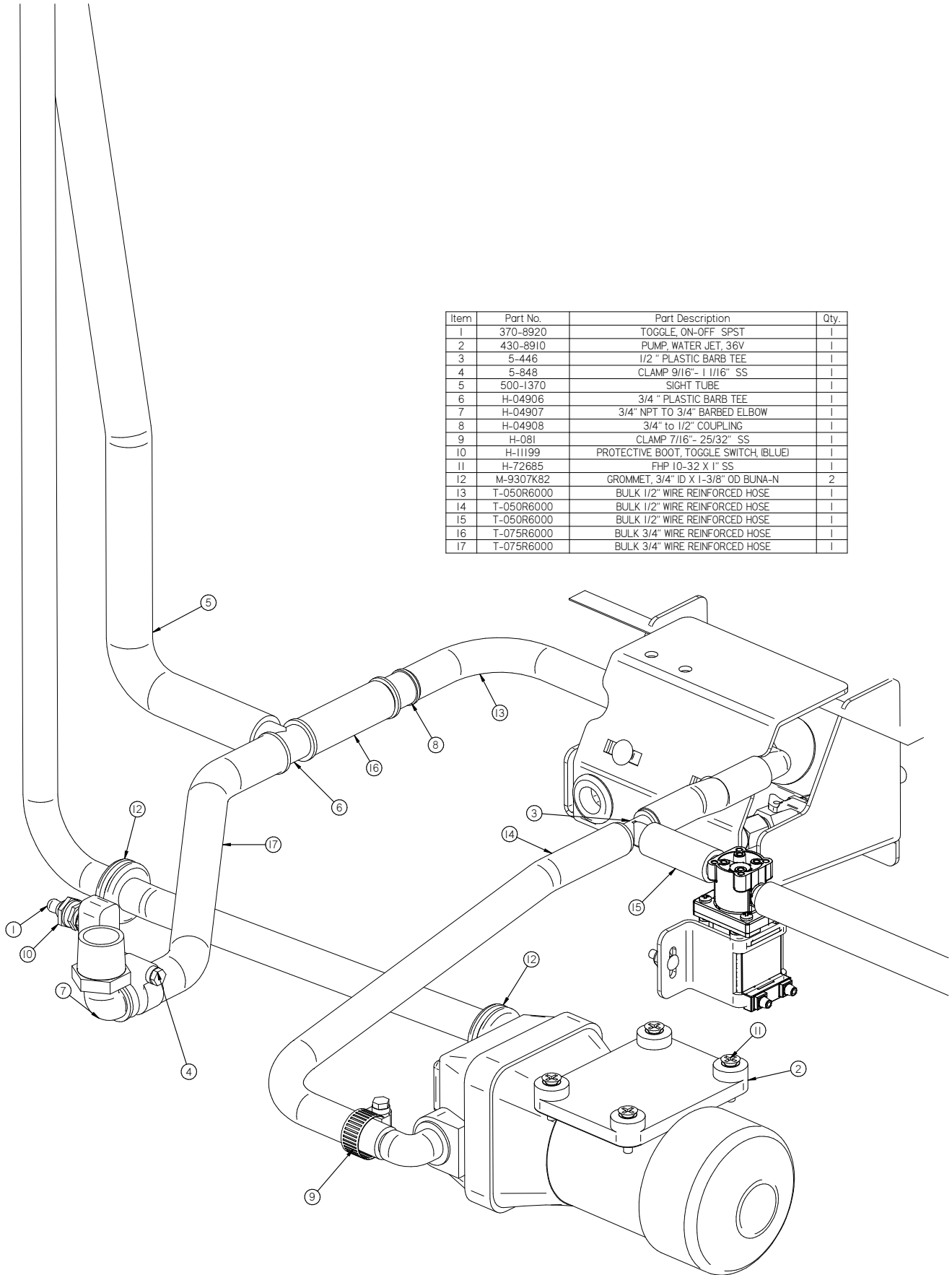
Item	Part No.	Part Description	Qty.
1	250-7328	WIRE GUIDE	1
2	37-7321	SLOTTED NUT, 2.0 - 12	1
3	370-7317	TAPERED ROLLER BEARING	2
4	370-8374	BEARING SEAL	1
5	5-826	10 TOOTH SPROCKET 5/8 SHAFT	1
6	5-831	MASTER LINK	1
7	500-7121	STEERING SHAFT, LOWER 8 inch	1
8	500-7231A	BEARING W/HOUSING	1
9	500-7312	FRONT DRIVE DROP PLATE (8")	1
10	500-7314	48 TOOTH STEERING SPROCKET	1
11	500-7325	8 inch PIVOT PLATE	1
12	500-7327	48 TOOTH STEERING CHAIN	1
13	500-9557	DRIVE GUARD (8")	2
14	600-7230A	BEARING BLOCK ASSEMBLY	1
15	600-7332	STEERING SPINDLE	1
16	8-713	1 1/2" THRUST WASHER	2
17	H-0170132	FHP 1/4"- 20 X 2-3/4"	4
18	H-0171294	BHSCS 5/16-18 X 3.5	2
19	H-11115680	FB CASHD M10-1.5 X 30mm	4
20	H-25306	SSS CP #10-32 X 1/4"	2
21	H-33376	SHAFT COLLAR, 3/4" ID X 9/16 LG	1
22	H-68013	SNAPRING	1
23	H-70003	HCS 1/4"-20 X 3/4" SS	1
24	H-70053	HCS 5/16"- 18 X 3/4" SS	2
25	H-70710	HN 1/4"- 20 SS	1
26	H-70711	HN 5/16"- 18 SS	1
27	H-70712	HN 3/8"-16 SS	6
28	H-70860	NYLOK 1/4"- 20 SS	8
29	H-70861	NYLOK 5/16" - 18 SS	4
30	H-71015	FW 5/16 ID X 3/4 OD SS	6
31	H-71063	LW 1/4" SS	1
32	H-71065	LW 5/16" SS	2
33	H-73496	SHCS 5/16-18 X 1-1/4 SS	1
34	H-73816	BHSCS 3/8"- 16 X 1-1/4" SS	4
35	H-73818	BHSCS 3/8"- 16 X 1-3/4" S/S	2
36	H-74419	CB 1/4"- 20 X .75" SS	4
37	H-81983	5/16" X 1/4" KURL SET SCREW	1
38	H-K1432	3/16" X 1/2" KEY	1
39	H-NJ06C	JNYL 3/8- 16 SS	2
40	M-938IT24	S-HOOK	1
41	T-050R0025	CLEAR TUBING	1



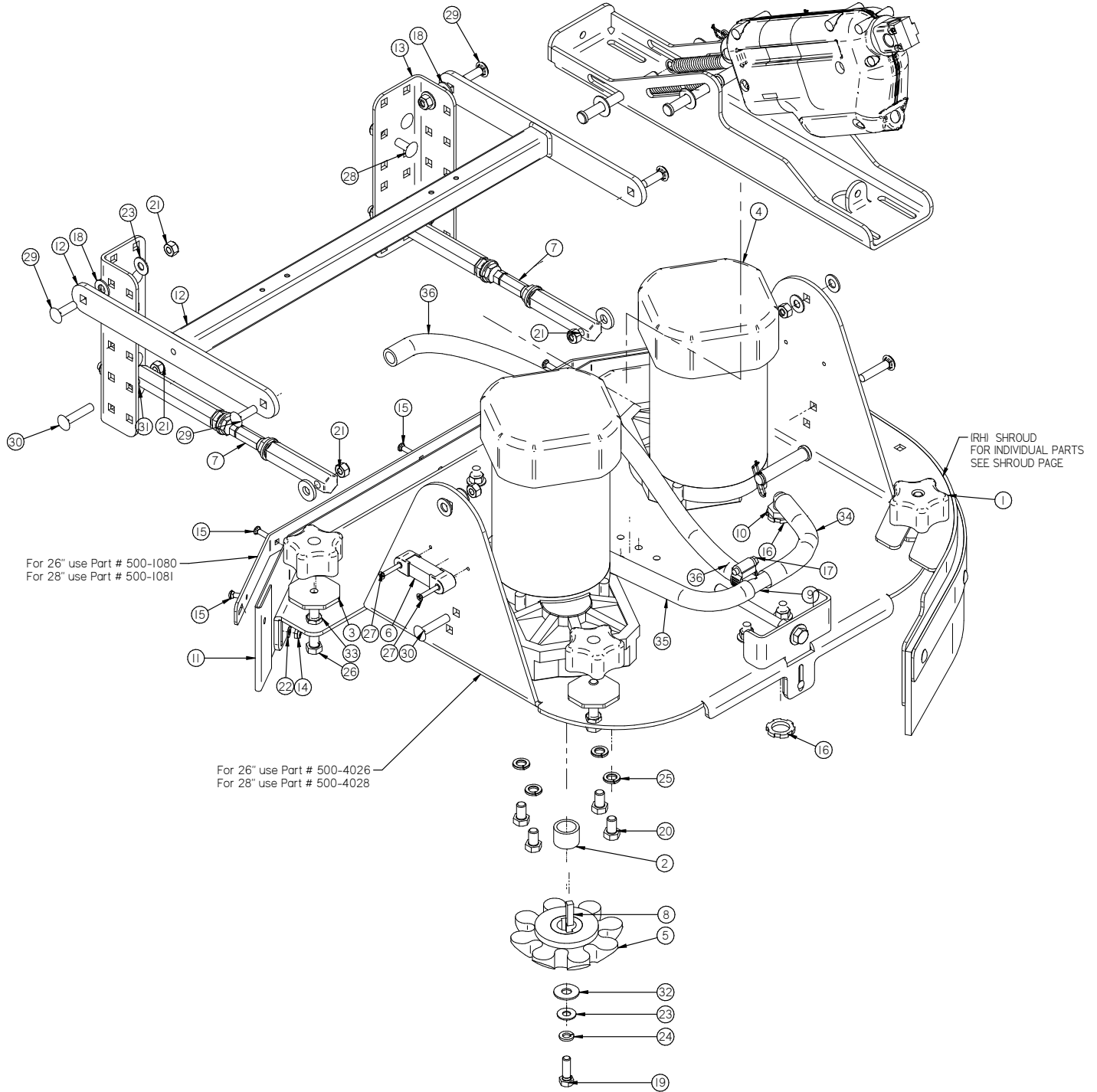
Item	Part No.	Part Description	Qty.
1	250-7328	WIRE GUIDE	1
2	37-7321	SLOTTED NUT, 2.0 - 12	1
3	370-7317	TAPERED ROLLER BEARING	2
4	370-8374	BEARING SEAL	1
5	370-9557	DRIVE GUARD	2
6	5-826	10 TOOTH SPROCKET 5/8 SHAFT	1
7	5-831	MASTER LINK	1
8	500-7120	10" LOWER STEERING SHAFT	1
9	500-7231A	BEARING W/HOUSING	1
10	500-7311	FRONT DRIVE DROP PLATE (10")	1
11	500-7314	48 TOOTH STEERING SPROCKET	1
12	500-7326	10" PIVOT PLATE	1
13	500-7327	48 TOOTH STEERING CHAIN	1
14	600-7230A	BEARING BLOCK ASSEMBLY	1
15	8-713	1 1/2" THRUST WASHER	2
16	H-0135920	SHC M6-1 X 25 ZINK	10
17	H-0170132	FHP 1/4"- 20 X 2-3/4"	4
18	H-0171294	BHSCS 5/16-18 X 3.5	2
19	H-01728	HCS 3/8"- 24 X 1-1/4" SS	4
20	H-0172948	HCS 3/8"- 24 X 1-3/4" SS FULL THREADED	2
21	H-11115680	FB CASHD M10-1.5 X 30mm	4
22	H-25306	SSS CP #10-32 X 1/4"	2
23	H-2550010	SHCS M-6 X 10	2
24	H-33376	SHAFT COLLAR, 3/4" ID X 9/16 LG	1
25	H-68013	SNAPRING	1
26	H-70003	HCS 1/4"-20 X 3/4" SS	1
27	H-70053	HCS 5/16"- 18 X 3/4" SS	2
28	H-70710	HN 1/4"- 20 SS	1
29	H-70711	HN 5/16"- 18 SS	1
30	H-70712	HN 3/8"-16 SS	6
31	H-70860	NYLOK 1/4"- 20 SS	8
32	H-70861	NYLOK 5/16" - 18 SS	4
33	H-71015	FW 5/16 ID X 3/4 OD SS	6
34	H-71063	LW 1/4" SS	1
35	H-71065	LW 5/16" SS	2
36	H-73496	SHCS 5/16-18 X 1-1/4 SS	1
37	H-74419	CB 1/4"- 20 X .75" SS	4
38	H-81983	5/16" X 1/4" KURL SET SCREW	1
39	H-K1432	3/16" X 1/2" KEY	1
40	H-NJ06C	JNYL 3/8- 16 SS	2
41	M-9381T24	S-HOOK	1
42	M-9753K16	VINYL CAP, 1/2"	12
43	T-050R0025	CLEAR TUBING	1

Item	Part No.	Part Description	Qty.
1		SUDS DRAIN HOSE	1
2	150-5280	VALVE BRACKET	1
3	170-4158	1/4" NPT VALVE	1
4	175-9135	INLINE FILTER W/BLACK 40 MESH SCREEN	1
5	5-447	1/2 NPT X 1/2" BARB ELBOW	1
6	5-848	CLAMP 9/16"- 1 1/16" SS	1
7	500-1370	SIGHT TUBE	1
8*	500-9141	SERVICE TRAY	1
9	650-2300	LED STRIP	1
10	650-4500	36V VALVE	1
11	H-0127292	5/8" LOOP CLAMP	3
12	H-0172519	CB #10-32 X 5/8" SS	1
13	H-04788	.50 NPT X .50 BARB	1
14	H-04906	3/4 " PLASTIC BARB TEE	1
15	H-04907	3/4" NPT TO 3/4" BARBED ELBOW	1
16	H-04908	3/4" to 1/2" COUPLING	1
17	H-70858	NYLOK #10-32 SS	1
18	H-70860	NYLOK 1/4"- 20 SS	3
19	H-74419	CB 1/4"- 20 X 7.5" SS	3
20	M-5346K51	.25 NPTF X .1875 BRASS BARBED HOSE FITTING	1
21	M-5463K445	.25 NPT X .25 BARB	1
22	M-9434T22	1.0 DIA One Hole Tube Clamp	2
23	T-050R6000	BULK 1/2" WIRE REINFORCED HOSE	1
24	T-050R6000	BULK 1/2" WIRE REINFORCED HOSE	1
25	T-050R6000	BULK 1/2" WIRE REINFORCED HOSE	1
26	T-075R6000	BULK 3/4" WIRE REINFORCED HOSE	1
27	T-075R6000	BULK 3/4" WIRE REINFORCED HOSE	1



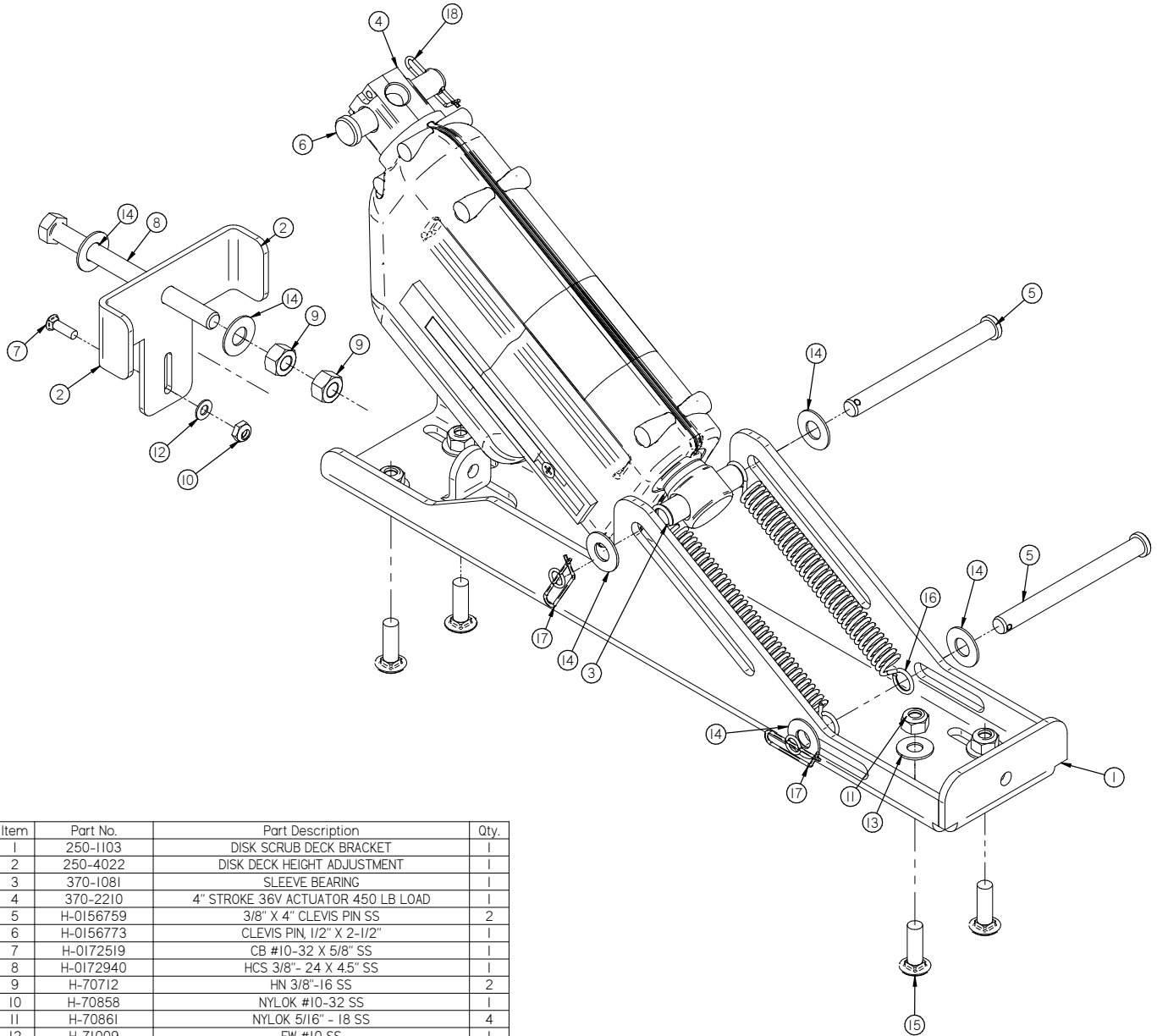


Item	Part No.	Part Description	Qty.
1	370-8920	TOGGLE, ON-OFF SPST	1
2	430-8910	PUMP, WATER JET, 36V	1
3	5-446	1/2" PLASTIC BARB TEE	1
4	5-848	CLAMP 9/16"- 1 1/16" SS	1
5	500-1370	SIGHT TUBE	1
6	H-04906	3/4" PLASTIC BARB TEE	1
7	H-04907	3/4" NPT TO 3/4" BARBED ELBOW	1
8	H-04908	3/4" TO 1/2" COUPLING	1
9	H-081	CLAMP 7/16"- 25/32" SS	1
10	H-11199	PROTECTIVE BOOT, TOGGLE SWITCH, (BLUE)	1
11	H-72685	FHP 10-32 X 1" SS	1
12	M-9307K82	GROMMET, 3/4" ID X 1-3/8" OD BUNA-N	2
13	T-050R6000	BULK 1/2" WIRE REINFORCED HOSE	1
14	T-050R6000	BULK 1/2" WIRE REINFORCED HOSE	1
15	T-050R6000	BULK 1/2" WIRE REINFORCED HOSE	1
16	T-075R6000	BULK 3/4" WIRE REINFORCED HOSE	1
17	T-075R6000	BULK 3/4" WIRE REINFORCED HOSE	1

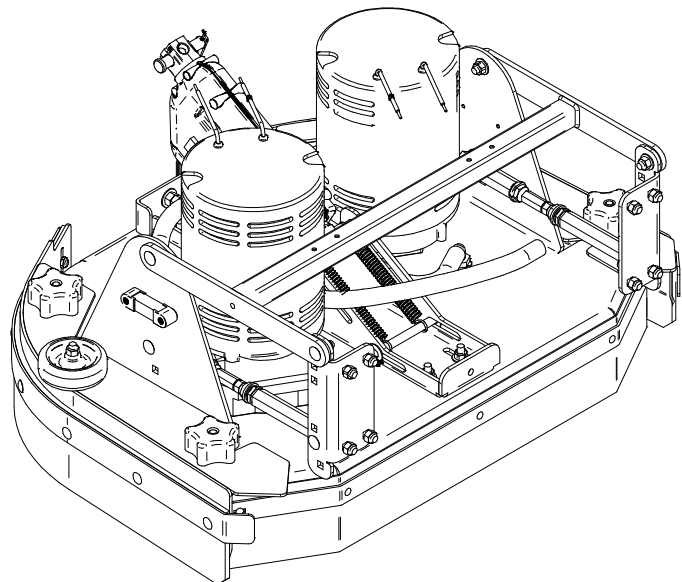


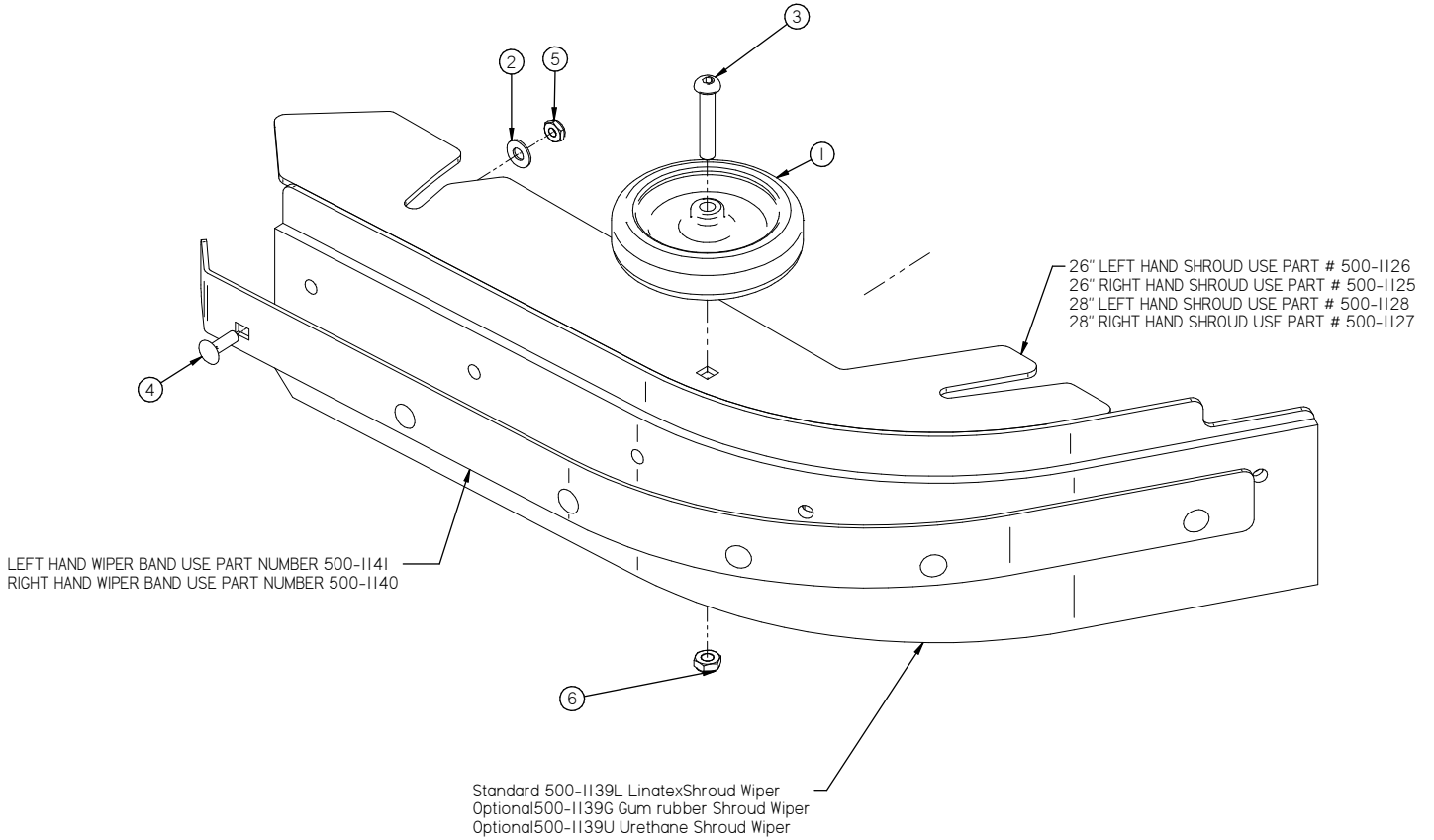
Item	Part No.	Part Description	Qty.	Item	Part No.	Part Description	Qty.
1	150-5786	STAR KNOB, 3/8-16 THREAD	4	19	H-70055	HCS 5/16"- 18 X 1" SS	2
2	175-5005	DRIVER SPACER	2	20	H-70140	HCS 3/8"-24 X 5/8" SS	8
3	250-1184	SHROUD ADJ. KNOB (3/8-16 THREAD)	4	21	H-70861	NYLOK 5/16" - 18 SS	16
4	250-201	MOTOR, 36V, 3/4 HP, 350 RPM	2	22	H-71009	FW #10 SS	5
5	264-5003	BRUSH DRIVER ROUNDED TOOTH	2	23	H-71015	FW 5/16" ID X 3/4" OD SS	6
6	300-4030	LEVEL	2	24	H-71065	LW 5/16" SS	2
7	300-8421	ADJUSTABLE LATERAL ARM	2	25	H-71067	LW 3/8" SS	8
8	5-431	1/4" X 1" KEY	2	26	H-71190	HCS 3/8"- 16 X 2-1/2" SS (FULLY THREADED)	4
9	5-446	1/2" PLASTIC BARB TEE	1	27	H-72645	FHP #8-32 X 1.0"	4
10	5-447	1/2 NPT X 1/2" BARB ELBOW	2	28	H-74429	CB 5/16"- 18 X 3/4" SS	8
11	500-1164	26/28 FRONT DECK CURTAIN	1	29	H-74430	CB 5/16"- 18 X 1" SS	4
12	500-9586	26/28 INCH LATERAL ARM	1	30	H-74432	CB 5/16"- 18 X 1-1/2" SS	4
13	650-1265	SCRUB ARM BRACKET	2	31	H-98025	FW 3/8" GRADE 8	4
14	H-0129155	JNYL #10-32, 18-8 S/S	5	32	H-99001	FW 3/8" SS NOM ID .4375 X OD 1.0	2
15	H-0172519	CB #10-32 X 5/8" SS	5	33	H-NJ06C	JNYL 3/8-16 SS	4
16	H-07005	1/2" NPT LOCKNUT	4	34	T-050R0900	1/2"ID X 9'LG DECK HOSE	1
17	H-081	CLAMP 7/16"- 25/32" SS	1	35	T-050R1700	1/2"ID X 17'LG DECK HOSE	1
18	H-4440024	FW 3/8" X 3/4" NYLON	4	36	T-050R3600	1/2"ID X 36'LG SOLUTION HOSE	1

Scrubdeck Actuator Lift

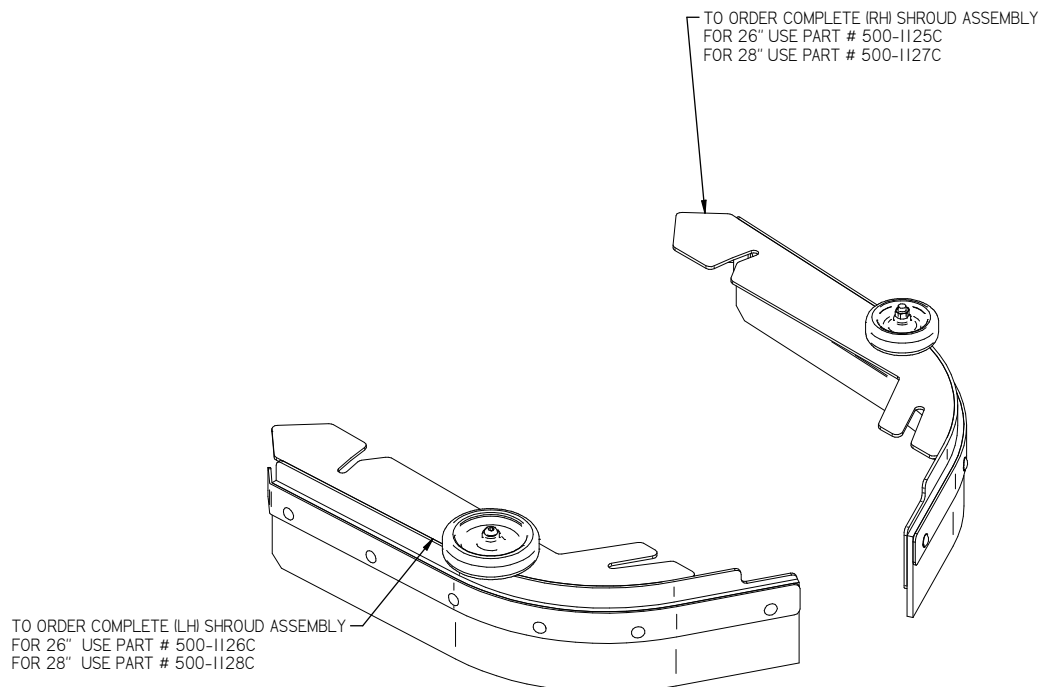


Item	Part No.	Part Description	Qty.
1	250-1103	DISK SCRUB DECK BRACKET	1
2	250-4022	DISK DECK HEIGHT ADJUSTMENT	1
3	370-1081	SLEEVE BEARING	1
4	370-2210	4" STROKE 36V ACTUATOR 450 LB LOAD	1
5	H-0156759	3/8" X 4" CLEVIS PIN SS	2
6	H-0156773	CLEVIS PIN, 1/2" X 2-1/2"	1
7	H-0172519	CB #10-32 X 5/8" SS	1
8	H-0172940	HCS 3/8"- 24 X 4.5" SS	1
9	H-70712	HN 3/8"-16 SS	2
10	H-70858	NYLOK #10-32 SS	1
11	H-70861	NYLOK 5/16" - 18 SS	4
12	H-71009	FW #10 SS	1
13	H-71015	FW 5/16 ID X 3/4 OD SS	4
14	H-71017	FW 3/8 ID X 7/8 OD SS	6
15	H-74430	CB 5/16" - 18 X 1" SS	4
16	H-96544	SPRING, 4-1/8" LG X 9/16" OD I42EJ	2
17	H-RUE14	3/8" RUE RING COTTER	2
18	H-RUE22	1/2" RUE RING COTTER	1

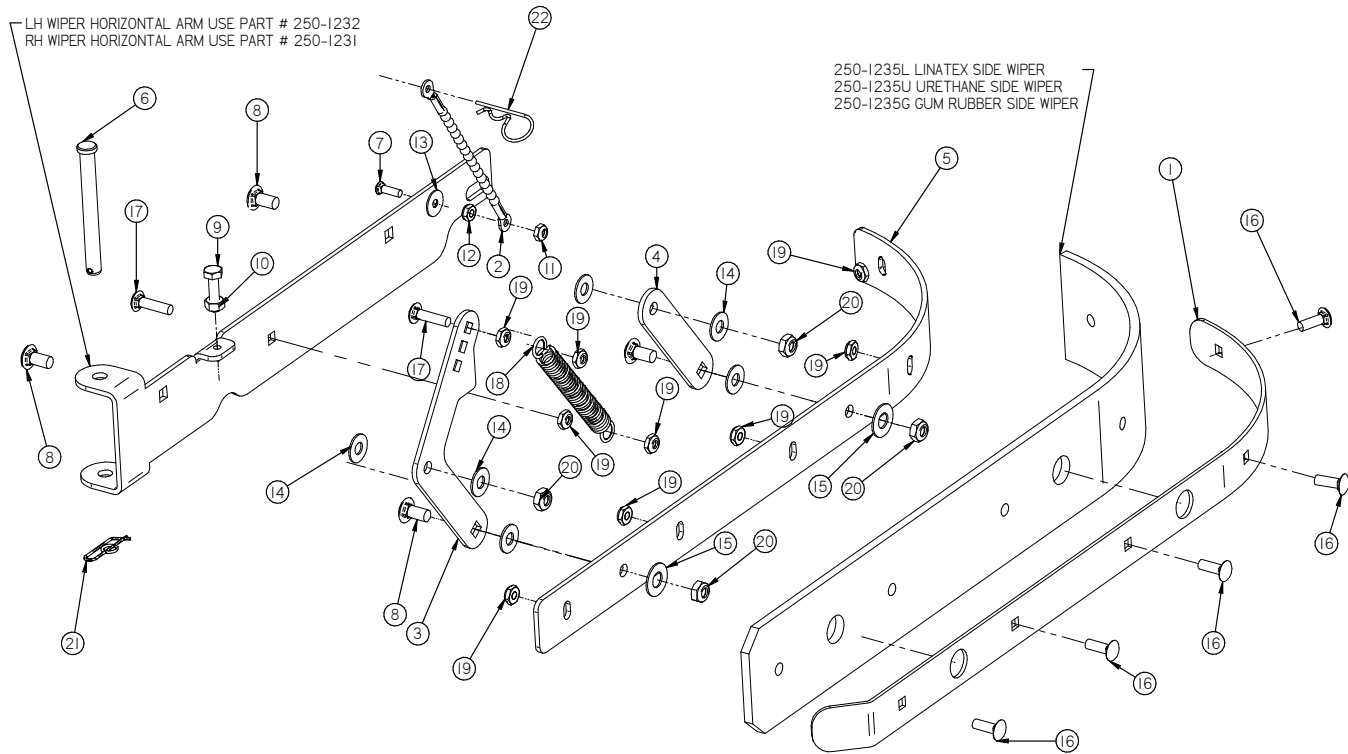




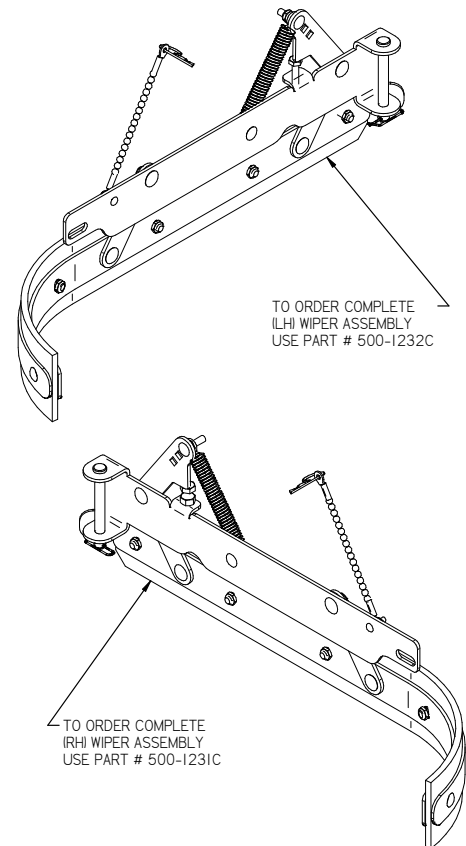
Item	Part No.	Part Description	Qty.
1	150-7600	4" SIDE WHEEL (GREY)	1
2	H-71013	FW 1/4 ID X 5/8 OD SS	6
3	H-73783	BHSCS 5/16-18 X 1.75	1
4	H-74419	CB 1/4" - 20 X .75" SS	6
5	H-NJ04C	JNYL 1/4" - 20 SS	6
6	H-NJ05C	JNYL 5/16" - 18 SS	1

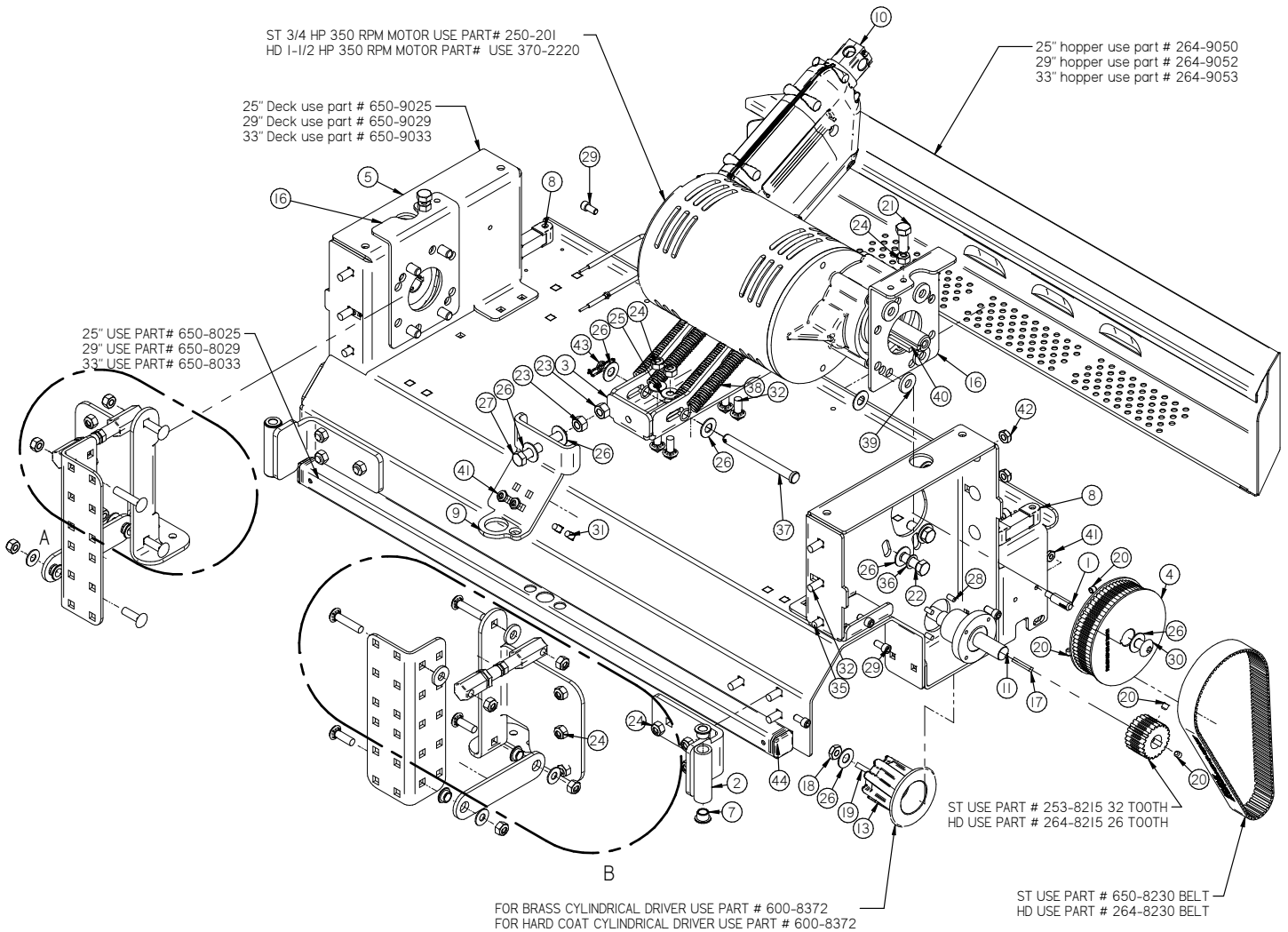


Cylindrical Deck Side Wipers

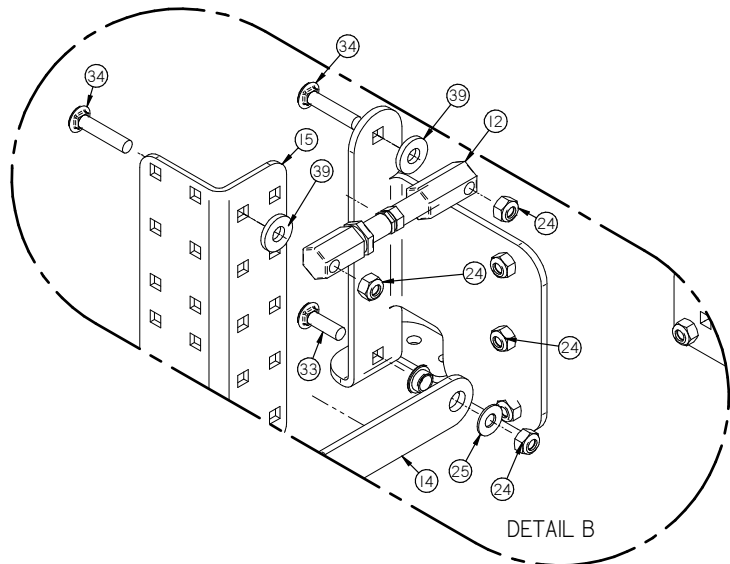
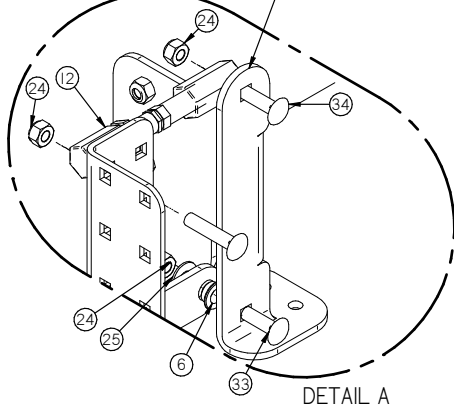


Item	Part No.	Part Description	Qty.
1	250-1236	WIPER BAND	1
2	370-4060	6" LANYARD	1
3	650-1243	SHROUD VERTICAL ARM	1
4	650-1244	WIPER VERTICAL ARM	1
5	650-1245	SHROUD SIDE	1
6	H-0156758	3/8" X 3-1/2" CLEVIS PIN	1
7	H-0172519	CB #10-32 X 5/8" SS	1
8	H-0172526	CB 5/16"- 18 X 5/8" SS	4
9	H-70005	HCS 1/4"- 20 X 1" SS	1
10	H-70710	HN 1/4"- 20 SS	1
11	H-70858	NYLOK #10-32 SS	1
12	H-70923	KN #10-32 SS	1
13	H-71010	FW #10 ID X 11/16 OD SS	1
14	H-71015	FW 5/16 ID X 3/4 OD SS	6
15	H-71017	FW 3/8 ID X 7/8 OD SS	2
16	H-74419	CB 1/4"- 20 X .75" SS	5
17	H-74420	CB 1/4"- 20 X 1.0" SS	2
18	H-96544	SPRING, 4-1/8" LG X 9/16" OD [42E]	1
19	H-NJ04C	JNYL 1/4" - 20 SS	9
20	H-NJ05C	JNYL 5/16"- 18 SS	4
21	H-RUE14	3/8" RUE RING COTTER	1
22	M-92391A044	HAIRPIN, 5/16" - 3/8" X 1-7/16" S/S	1



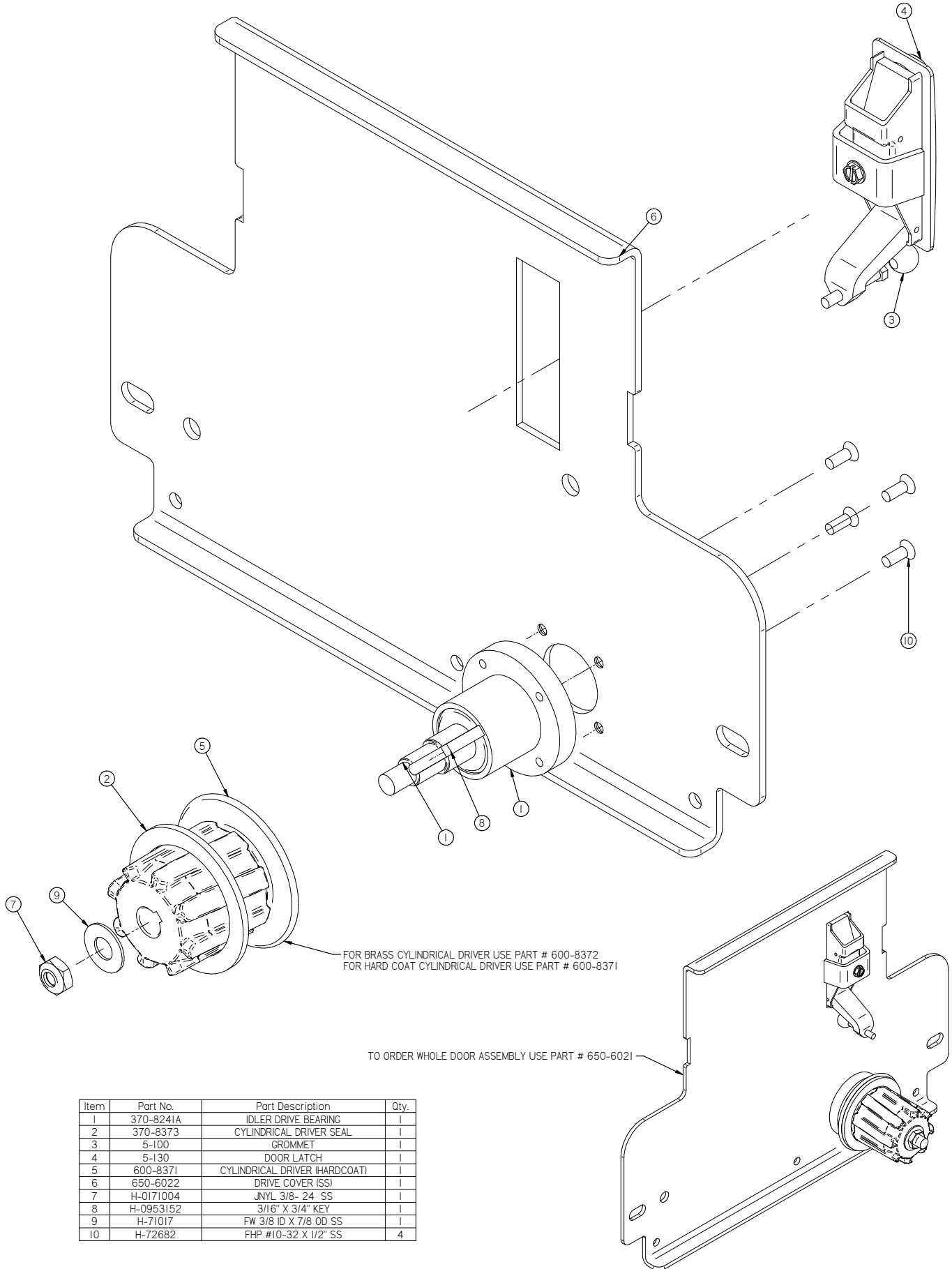


25" bracket use part # 600-1272 (RH)
25" bracket use part # 600-1273 (LH)
29" bracket use part # 600-1274 (RH)
29" bracket use part # 600-1275 (LH)
33" bracket use part # 600-1276 (RH)
33" bracket use part # 600-1277 (LH)



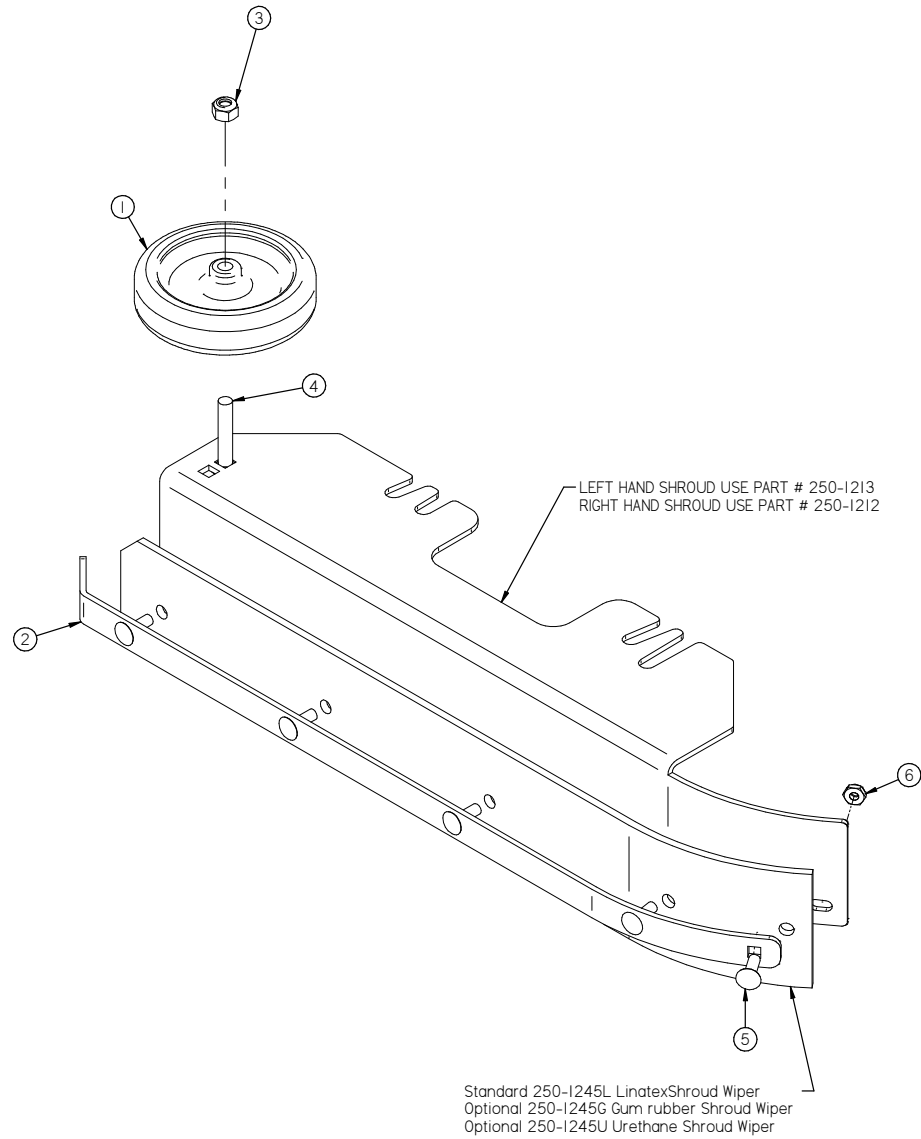
Inch Cylindrical Deck

Item	Part No.	Part Description	Qty.
1	250-0001	RETAINER PIN	2
2	250-1230	SHROUD HINGE	2
3	250-9003	CYLINDRICAL LIFTING BRACKET	1
4	253-8225	TIMING SPROCKET 68 TOOTH	2
5	264-9029	CYLINDRICAL BRUSHHEAD, 29"	1
6	290-1233	3/8" ID, 1/2" OD, 1/4" LG BEARING	4
7	290-1245	3/8" ID, 1/2" OD, 3/8" LG, FLANGE BEARING	4
8	300-4030	LEVEL	2
9	370-1237	SOLUTION FEED BRACKET	1
10	370-2240	2" STROKE 36V ACTUATOR 450 LB LOAD	1
11	370-8240A	BEARING HOUSING/BEARING	2
12	4-25	6.25"ADJUSTABLE LATERAL ARM	2
13	600-8372	CYLINDRICAL DRIVER (BRASS)	2
14	600-9585	CYL. LATERAL ARM	2
15	650-1265	SCRUB ARM BRACKET	2
16	650-9002	MOTOR ADJ BRACKET	2
17	H-01125	3/16" X 1" KEY	2
18	H-0171004	JNYL 3/8- 24 SS	2
19	H-0953152	3/16" X 3/4" KEY	2
20	H-25379	SETSCREW, KCP, 1/4"-20 X 1/4"	8
21	H-70055	HB 5/16"- 18 X 1" SS	2
22	H-70105	HCS 3/8"- 16 X 1" SS	8
23	H-70712	HN 3/8"-16 SS	2
24	H-70861	NYLOK 5/16" - 18 SS	26
25	H-71015	FW 5/16 ID X 3/4 OD SS	14
26	H-71017	FW 3/8 ID X 7/8 OD SS	18
27	H-71190	HCS 3/8"- 16 X 2-1/2" SS (FULLY THREADED)	1
28	H-72682	FHP #10-32 X 1/2" SS	8
29	H-73459	SHCS 1/4-20 X 1/2 SS	8
30	H-73811	BHSCS 3/8"- 16 X 1/2" SS	2
31	H-74417	CB 1/4"- 20 X .5" SS	2
32	H-74429	CB 5/16"- 18 X 3/4" SS	14
33	H-74430	CB 5/16"- 18 X 1" SS	4
34	H-74432	CB 5/16"- 18 X 1-1/2" SS	4
35	H-744??	CB 5/16"- 18 X 1/2" SS	8
36	H-90895	WASHER, SERRATED BELLEVILLE, 3/8", S/S	8
37	H-923903	3/8" X 4" CLEVIS PIN	2
38	H-96544	SPRING, 4-1/8" LG, 9/16 OD, (42E)	4
39	H-98025	FW 3/8" GRADE 8	12
40	H-K14320	3/16" X 1 1/4" KEY	2
41	H-NJ04C	JNYL 1/4" - 20 SS	4
42	H-NJ05C	JNYL 5/16"- 18 SS	6
43	H-RUE14	3/8" RUE RING COTTER	2
44	M-9565K51	1.0 X 1.0 SQ TUBE PLUG	2

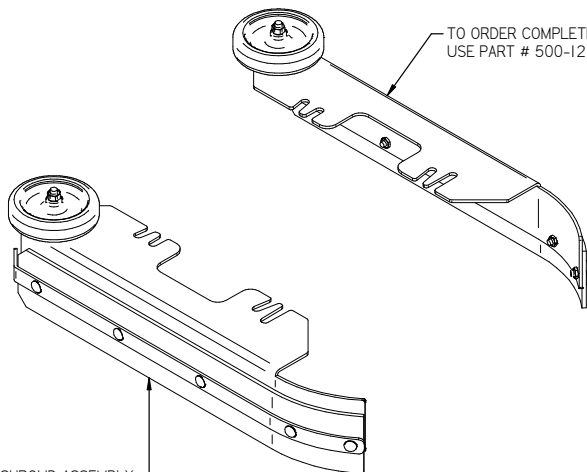


Item	Part No.	Part Description	Qty.
1	370-8241A	IDLER DRIVE BEARING	1
2	370-8373	CYLINDRICAL DRIVER SEAL	1
3	5-100	GROMMET	1
4	5-130	DOOR LATCH	1
5	600-8371	CYLINDRICAL DRIVER (HARDCOAT)	1
6	650-6022	DRIVE COVER (SS)	1
7	H-0171004	JNYL 3/8- 24 SS	1
8	H-0953152	3/16" X 3/4" KEY	1
9	H-71017	FW 3/8 ID X 7/8 OD SS	1
10	H-72682	FHP #10-32 X 1/2" SS	4

EDGE Deck Wipers

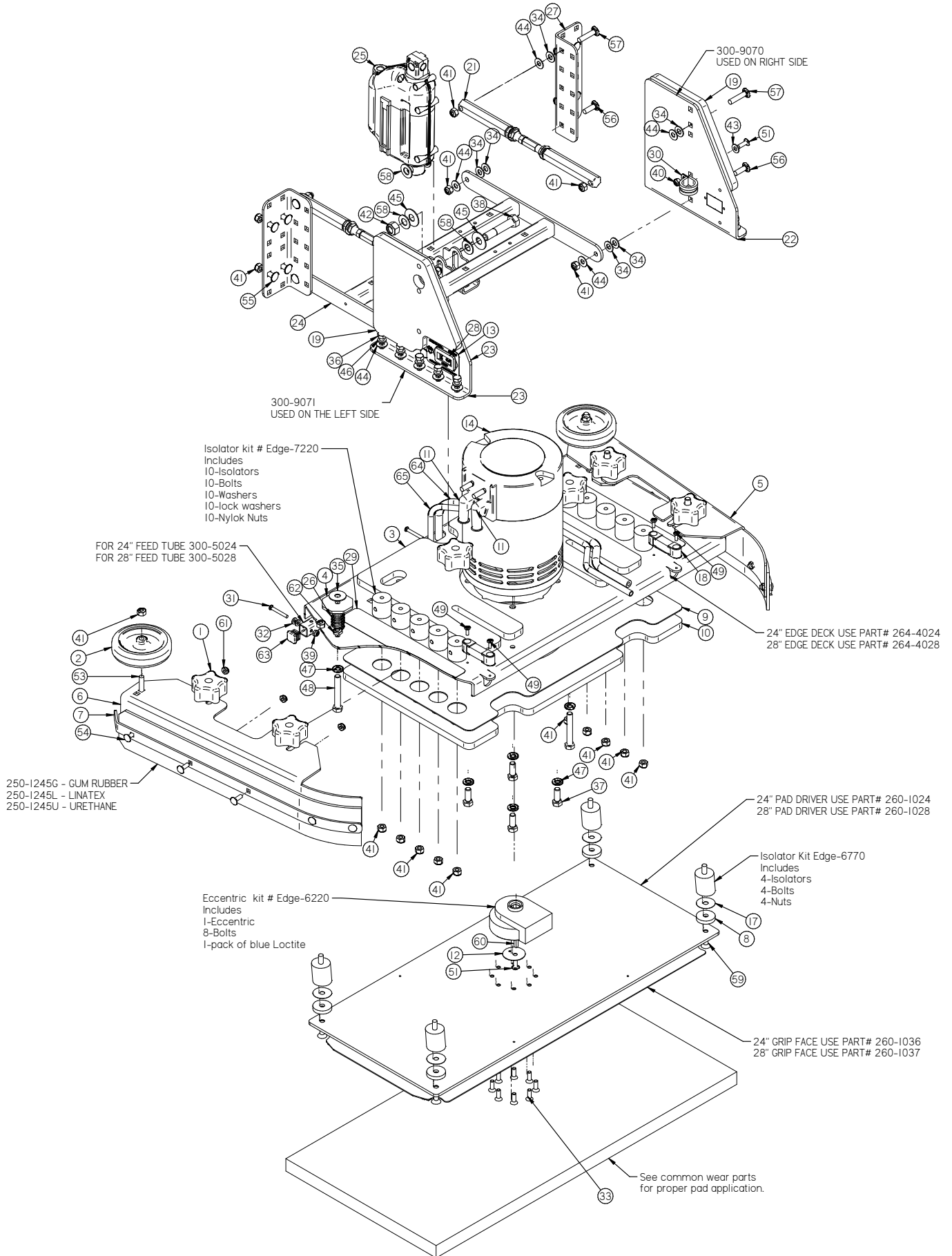


TO ORDER COMPLETE IRHI SHROUD ASSEMBLY
USE PART # 500-1212C



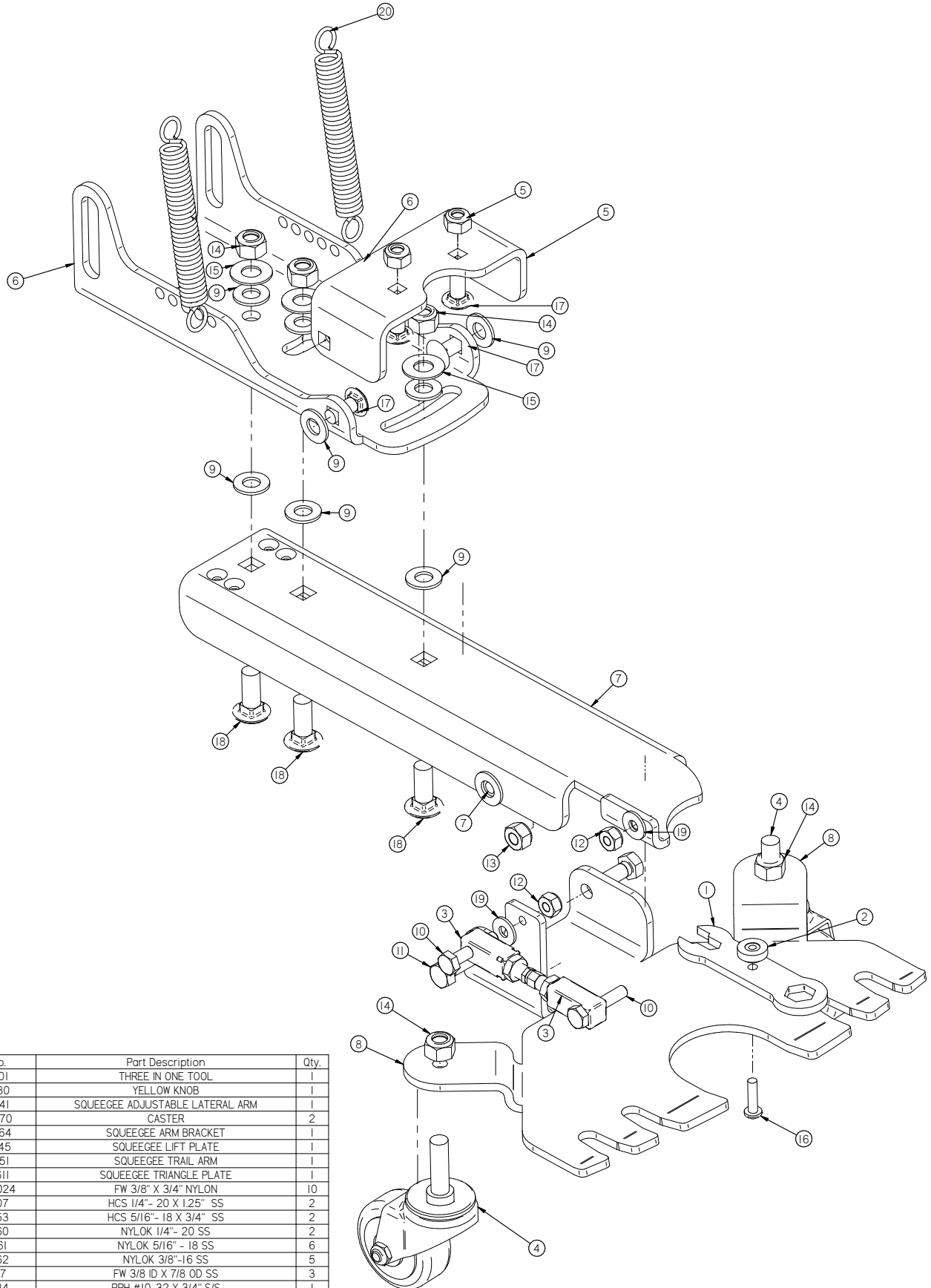
TO ORDER COMPLETE ILHI SHROUD ASSEMBLY
USE PART # 500-1213C

Item	Part No.	Part Description	Qty.
1	150-7600	4" SIDE WHEEL (GREY)	1
2	250-1246	EDGE WIPER BAND	1
3	H-70861	NYLOK 5/16" - 18 SS	1
4	H-74401	CB 5/16" - 18 X 1-3/4" SS	1
5	H-74419	CB 1/4" - 20 X .75" SS	5
6	H-NJ04C	JNYL 1/4" - 20 SS	5



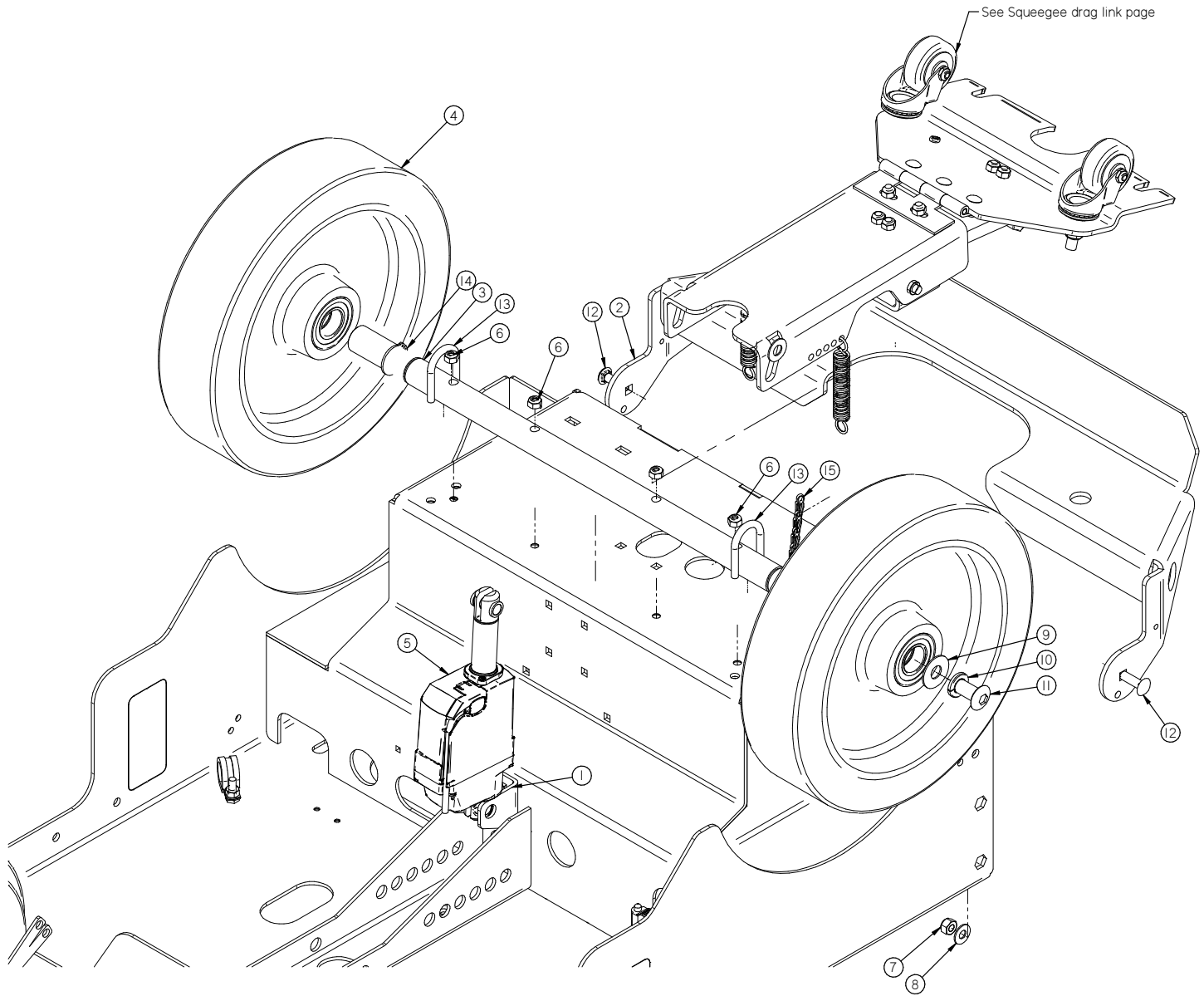
EDGE Deck Lift Arms

Item	Part No.	Part Description	Qty.
1	150-5786	STAR KNOB, 3/8-16 THREAD	6
2	150-7600	4" SIDE WHEEL (GREY)	2
3	175-4021	16.5 LBS WEIGHT	1
4	250-1184	SHROUD ADJ. KNOB (3/8-16 THREAD)	4
5	250-1212	SHROUD WIPER (RHI)	1
6	250-1213	SHROUD WIPER (LHI)	1
7	250-1246	EDGE WIPER BAND	2
8	264-1033	1/4" SPACER	4
9	264-4026	WEIGHT GASKET	1
10	264-4027	26 LB LOWER WEIGHT	1
11	290-2780	TERMINAL BOOT, BLACK	2
12	300-01030Z	CRUSH WASHER	2
13	300-2013	ISOLATOR STICKER	1
14	300-2600	36V,IHP,2700 RPM	1
15*	300-3032	1-1/4X1-1/2X5/16-18 (50DI) ISOLATOR	4
16*	300-3033	1/4" SPACER	1
17	300-3035	ISOLATOR SHIELD	4
18	300-4030	LEVEL	2
19	300-4035	5LB WEIGHT	2
20*	300-6220	20" ECCENTRIC BEARING ASSEMBLY	1
21	300-8421	ADJUSTABLE LATERAL ARM	2
22	300-9070	(LHI) DECK LIFTING BRACKET	1
23	300-9071	(RHI) DECK LIFTING BRACKET	1
24	300-9587	LATERAL ARM	1
25	370-2240	2" STROKE 36V ACTUATOR 450 LB LOAD	1
26	4-386	LIFT LEVER SPRING	4
27	650-1265	SCRUB ARM BRACKET	2
28	8-262	HOUR METER	1
29	EDGE-7232	28" EDGE STICKER	2
30	H-0127296	1.0" LOOP CLAMP	1
31	H-0172523	CB #10-32 X 1-1/2" SS	3
32	H-11107629	FW #10 NYLON	6
33	H-29566	FHP 1/4"- 20 X 3/4" ZINK	8
34	H-4440024	FW 3/8" X 3/4" NYLON	12
35	H-4440040	.375 ID X 1.125 OD RUBBER WASHER	4
36	H-70051	HCS 5/16"- 18 X 1/2"	10
37	H-70105	HCS 3/8"- 16 X 1" SS	4
38	H-70213	HCS 1/2"-13 X 2-1/2" SS	1
39	H-70858	NYLOK #10-32 SS	3
40	H-70860	NYLOK 1/4"- 20 SS	1
41	H-70861	NYLOK 5/16"- 18 SS	32
42	H-70864	NYLOK 1/2"-13 SS	1
43	H-71013	FW 1/4 ID X 5/8 OD SS	1
44	H-71015	FW 5/16 ID X 3/4 OD SS	18
45	H-71021	FW 1/2 ID X 1-1/4 OD SS	2
46	H-71065	LW 5/16" SS	10
47	H-71067	LW 3/8" SS	10
48	H-71190	HCS 3/8"- 16 X 2-1/2" SS (FULLY THREADED)	6
49	H-72398	PPH #8-32 X 1/2" S/S	4
50*	H-72708	FHP 1/4"- 20 X 3/4"	8
51	H-73754	BHSCS 1/4 - 20 X 3/4" SS	3
52*	H-73907	FHSCS 5/16"- 18 X 3/4" SS	4
53	H-74401	CB 5/16"- 18 X 1-3/4" SS	2
54	H-74419	CB 1/4"- 20 X .75" SS	10
55	H-74429	CB 5/16"- 18 X 3/4" SS	8
56	H-74430	CB 5/16"- 18 X 1" SS	4
57	H-74432	CB 5/16"- 18 X 1-1/2" SS	4
58	H-76065	FW 1/2" NYLON	4
59	H-94254	FHSCS 5/16"- 18 X 3/4" ZINK	4
60	H-K14320	3/16" X 1 1/4" KEY	1
61	H-NJ04C	JNYL 1/4" - 20 SS	10
62	H-NJ06C	JNYL 3/8- 16 SS	4
63	M-9565K5	3/4 X 3/4 SQ TUBE PLUG	2
64	T-025C2300	SOLUTION HOSE	1
65	T-375C2300	ZERO HOSE	1

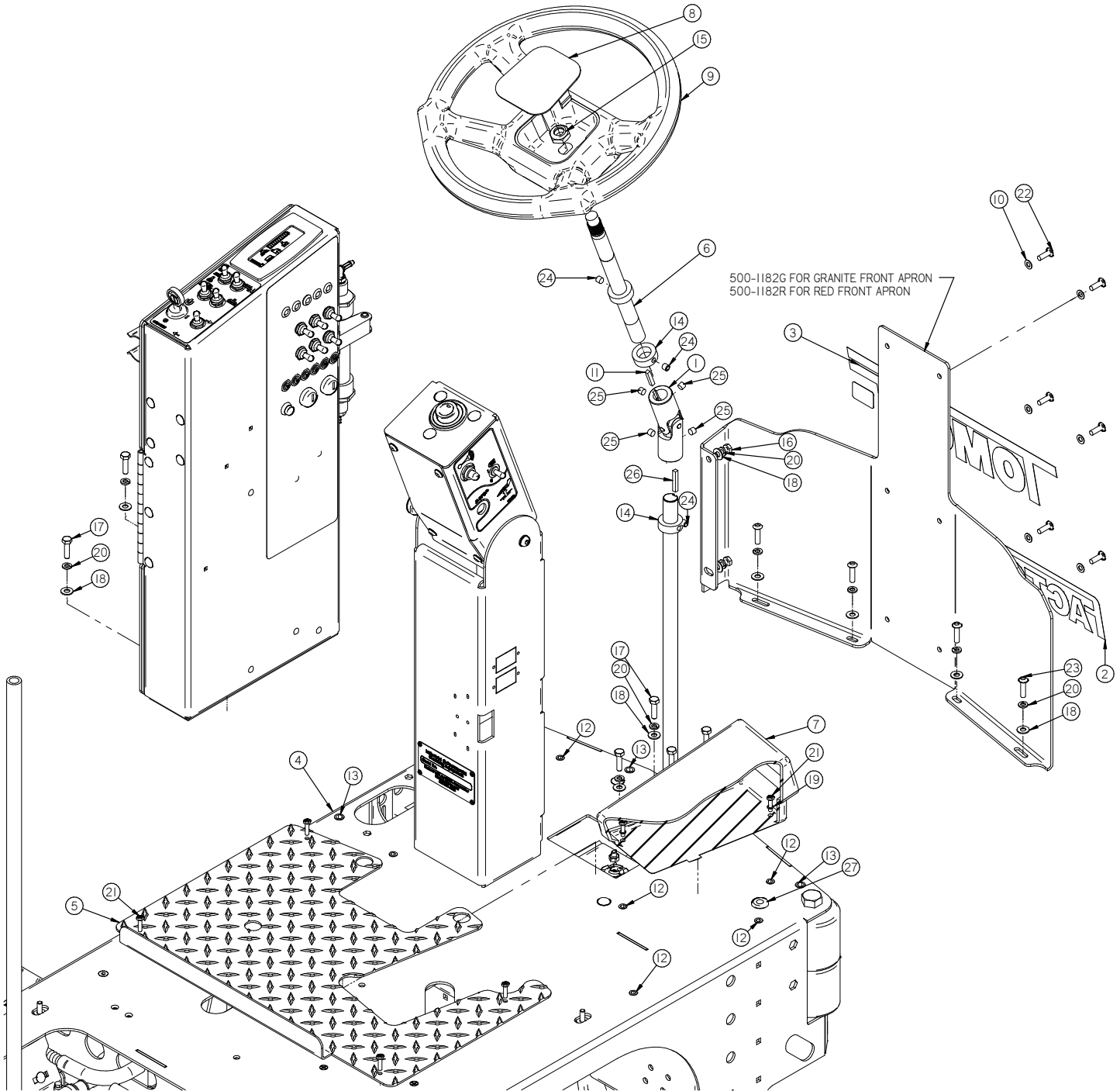


Item	Part No.	Part Description	Qty.
1	175-1001	THREE IN ONE TOOL	1
2	175-4180	YELLOW KNOB	1
3	175-8441	SQUEEGEE ADJUSTABLE LATERAL ARM	1
4	253-7570	CASTER	2
5	500-1264	SQUEEGEE ARM BRACKET	1
6	500-7145	SQUEEGEE LIFT PLATE	1
7	500-7151	SQUEEGEE TRAIL ARM	1
8	650-7611	SQUEEGEE TRIANGLE PLATE	1
9	H-4440024	FW 3/8" X 3/4" NYLON	10
10	H-70007	HCS 1/4" - 20 X 1.25" SS	2
11	H-70053	HCS 5/16" - 18 X 3/4" SS	2
12	H-70860	NYLOK 1/4" - 20 SS	2
13	H-70861	NYLOK 5/16" - 18 SS	6
14	H-70862	NYLOK 3/8"-16 SS	5
15	H-71017	FW 3/8 ID X 7/8 OD SS	3
16	H-72534	PPH #10-32 X 3/4" S/S	1
17	H-74429	CB 5/16" - 18 X 3/4" SS	4
18	H-74436	CB 3/8" - 16 X 1.0" SS	3
19	H-76061	FW 1/4" NYLON	2
20	H-96544	SPRING, 4-1/8" LG, 9/16 OD, [42E]	2

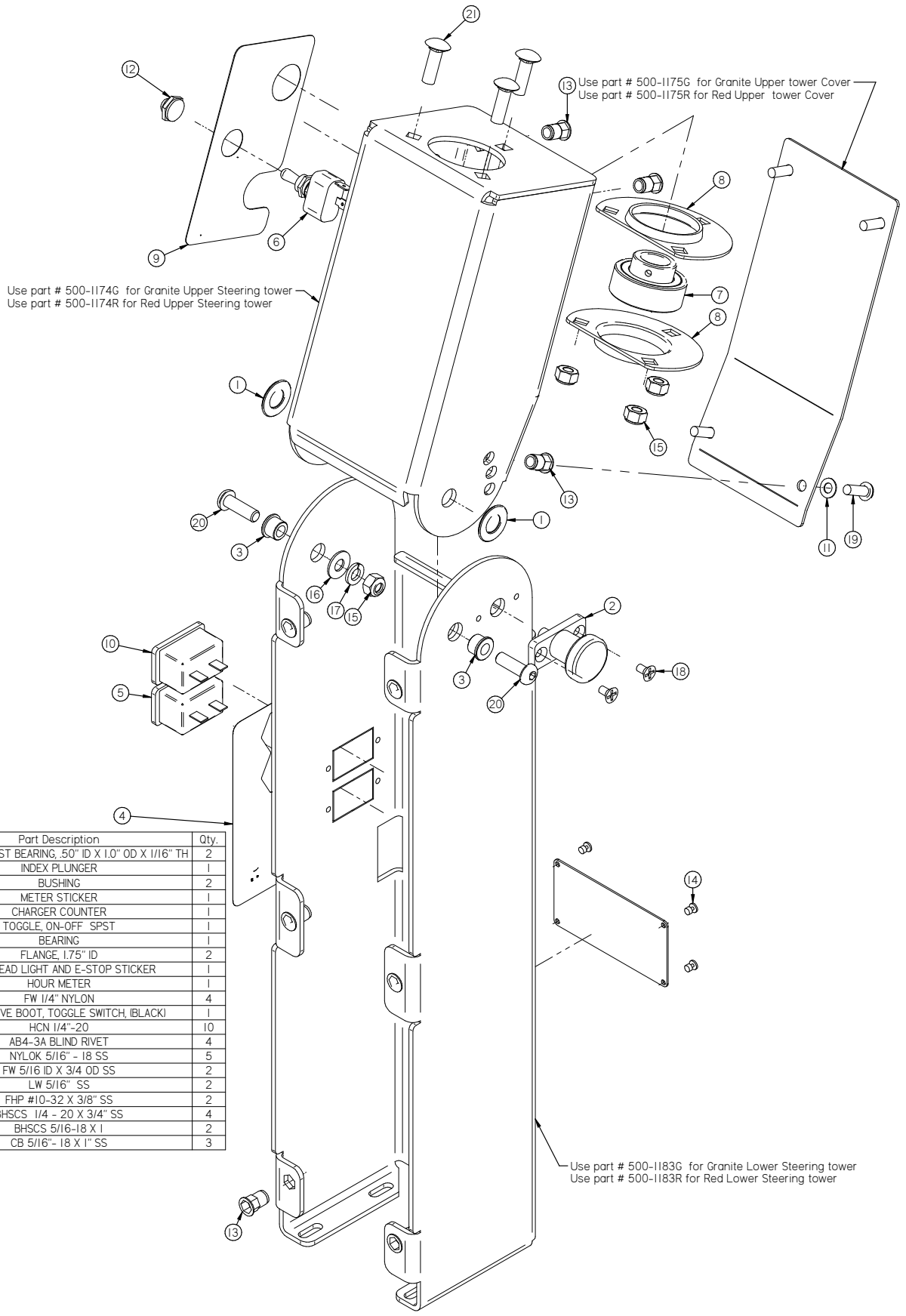
Squeegee Trail Arm and Rear Axle



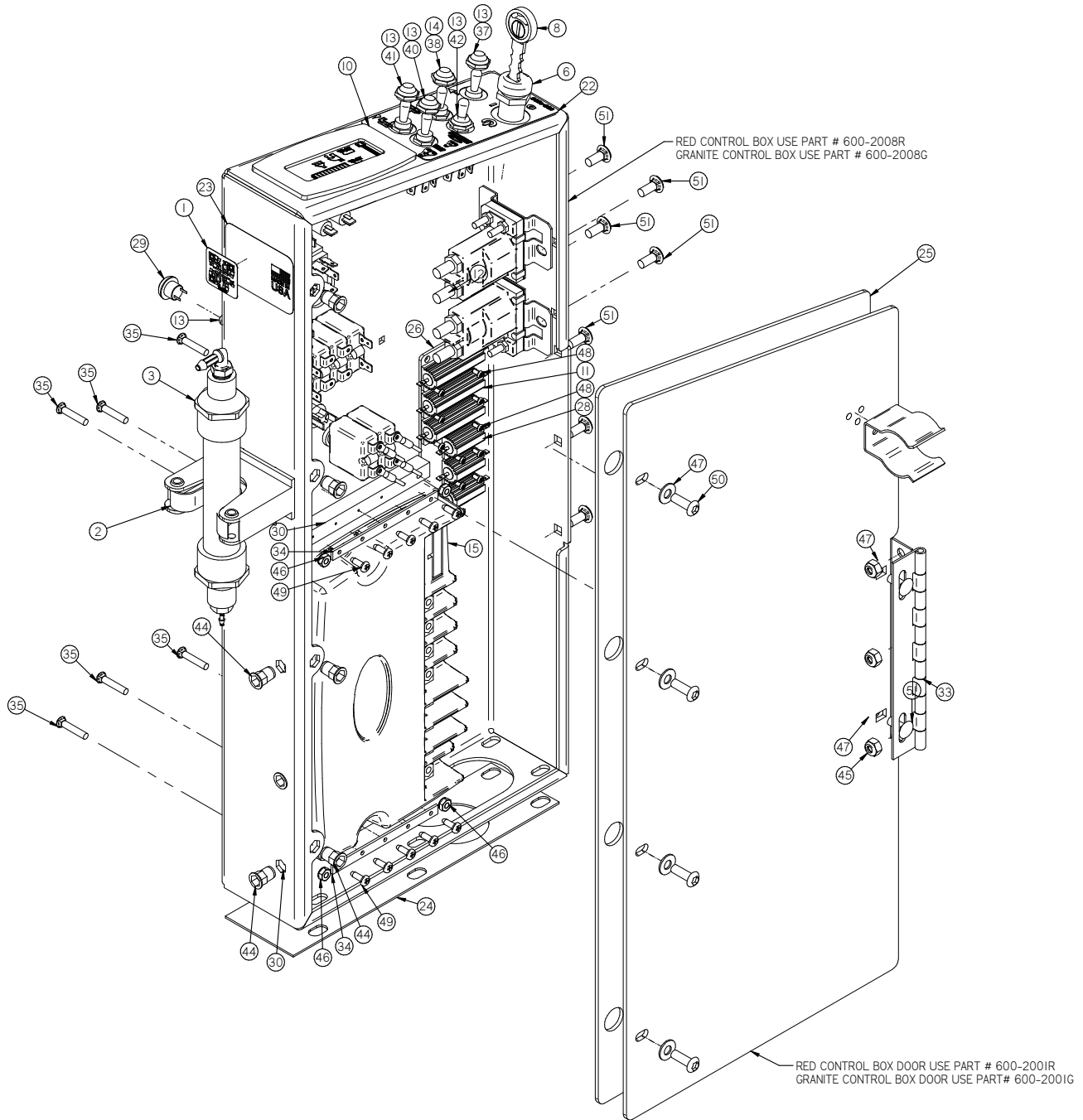
Item	Part No.	Part Description	Qty.
1	150-1006	LIFTING BRACKET	1
2	500-1109	BUMPER/STEP	1
3	500-1271	AXLE	1
4	500-6180G	DRIVE TIRE GRAY POLY	2
5	650-2240	2 INCH STROKE ACTUATOR L36V.J	1
6	H-70860	NYLOK 1/4" - 20 SS	3
7	H-70861	NYLOK 5/16" - 18 SS	2
8	H-71015	FW 5/16 ID X 3/4 OD SS	2
9	H-71021	FW 1/2 ID X 1-1/4 OD SS	2
10	H-71071	LW 1/2" SS	2
11	H-73834	BHSCS 1/2-13 X 1" SS	2
12	H-74430	CB 5/16" - 18 X 1" SS	2
13	M-3043T13	1/4-20 X 1.0" U-BOLT	2
14	M-98585A121	1 INCH EXTERNAL RETAINING RING	2
15	T-360824S0600	6" GOLD GROUING CHAIN	1

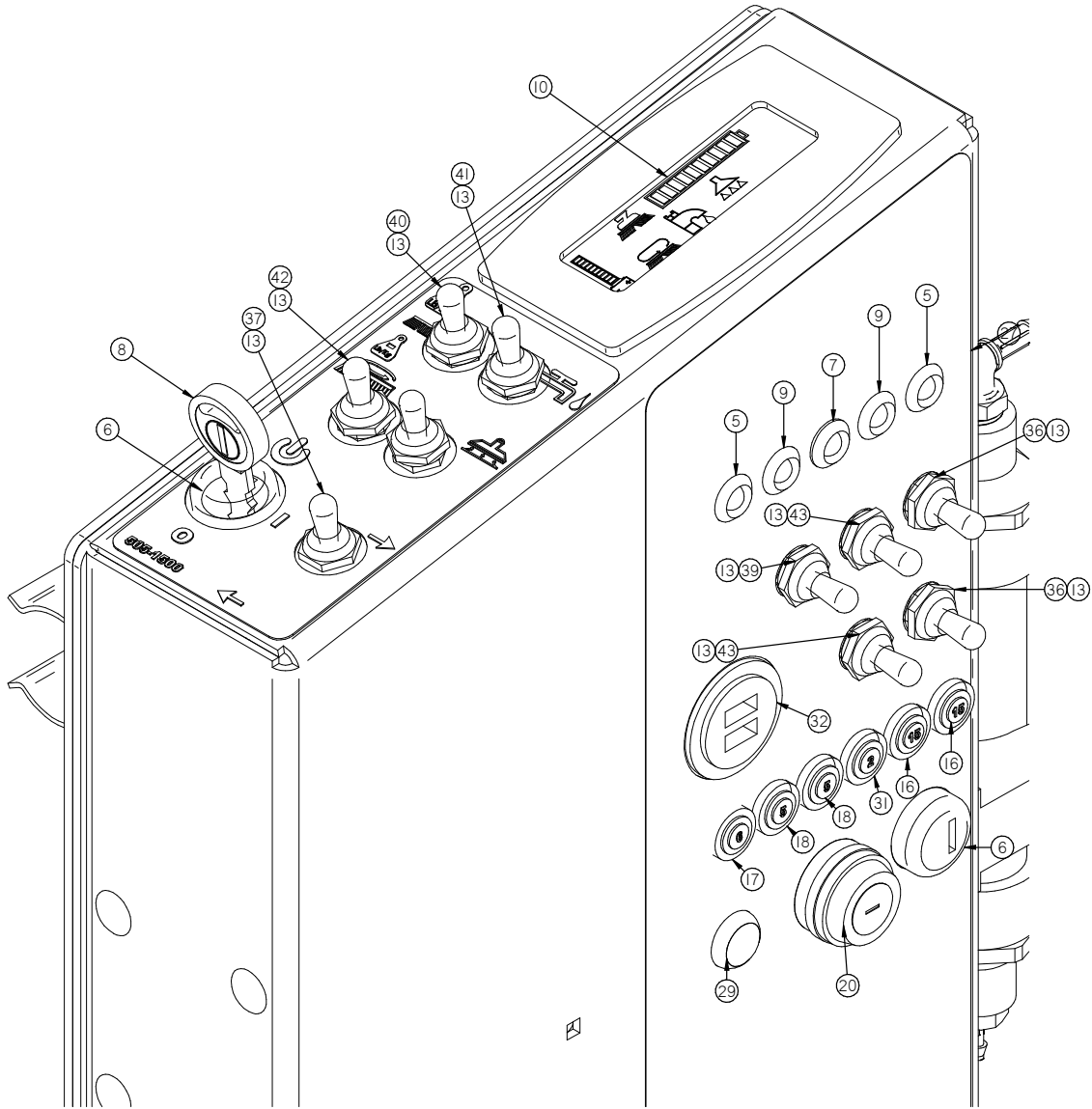


Item	Part No.	Part Description	Qty.	Item	Part No.	Part Description	Qty.
1	290-7110	U-JOINT	1	15	H-37038	JNYL 5/8" - 11	1
2	370-7201	FACTORY CAT STICKER	1	16	H-70003	HCS 1/4"-20 X 3/4" SS	5
3	370-7202	TOMCAT STICKER	1	17	H-70005	HCS 1/4"- 20 X 1" SS	3
4	500-1000	MAIN FRAME	1	18	H-71013	FW 1/4 ID X 5/8 OD SS	12
5	500-1612	NON SKID FLOOR PLATE	1	19	H-71059	LW #10, SS	1
6	500-7090	STEERING SHAFT, UPPER	1	20	H-71063	LW 1/4" SS	10
7	8-290	FOOT PEDAL	1	21	H-72534	PPH #10-32 X 3/4" S/S	2
8	8-701A	STEERING COVER	1	22	H-73754	BHSCS 1/4 - 20 X 3/4" SS	6
9	8-703	STEERING WHEEL	1	23	H-73755	BHSCS 1/4 - 20 X 1" SS	4
10	H-00282	FW 1/4" NYLON	6	24	H-81983	5/16" X 1/4" KURL SET SCREW	3
11	H-01125	3/16" X 1" KEY	1	25	H-82022	5/16-24" X 1/4" KURL SET SCREW	4
12	H-02309	HCN #10-32 LG CRIMP	5	26	H-K14320	3/16" X 1 1/4" KEY	1
13	H-250HCN	HCN 1/4"-20	3	27	M-9307K23	GROMMET .625 DIAMETER HOLE .125 THICK PANEL	1
14	H-33376	SHAFT COLLAR, 3/4" ID X 9/16 LG	3				

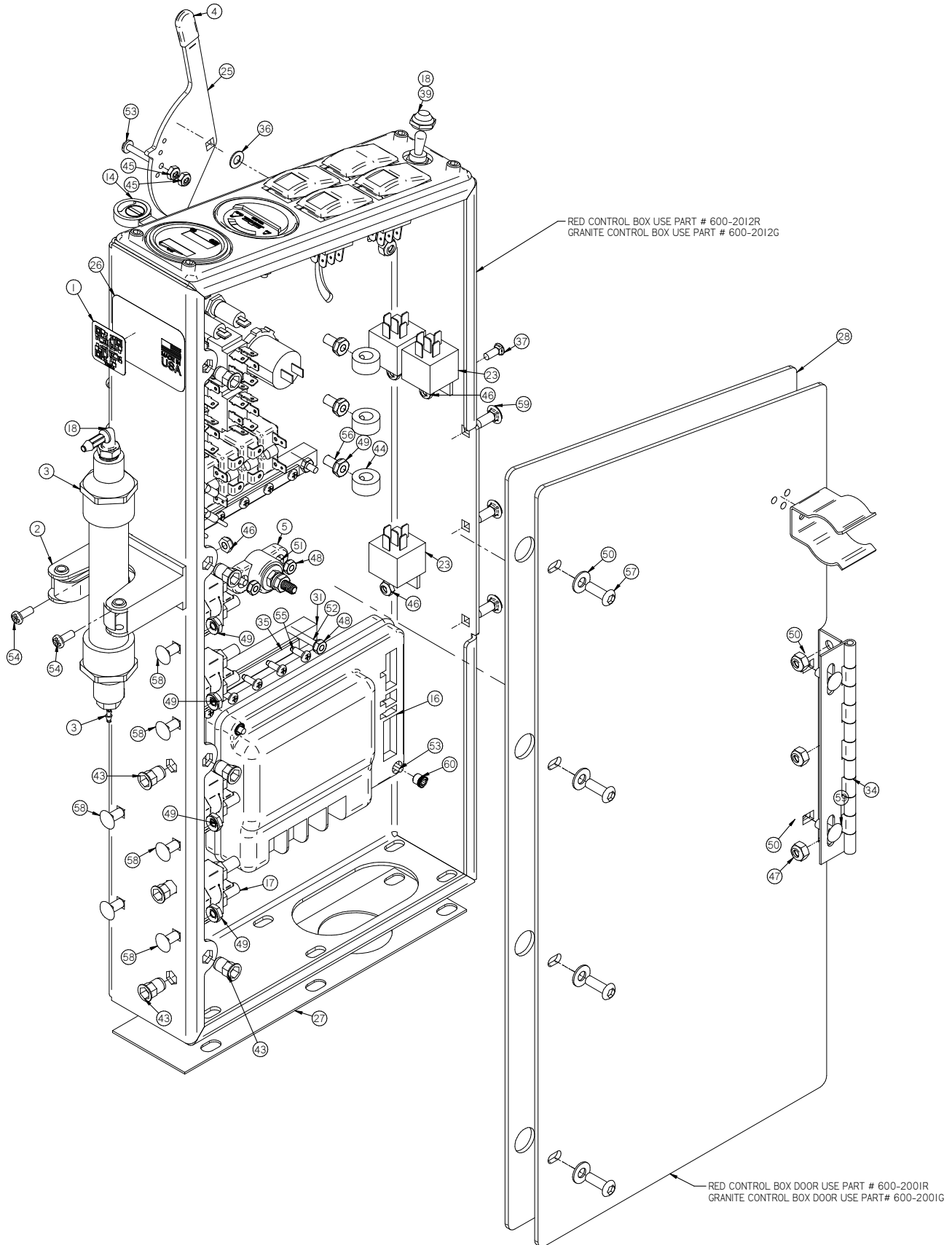


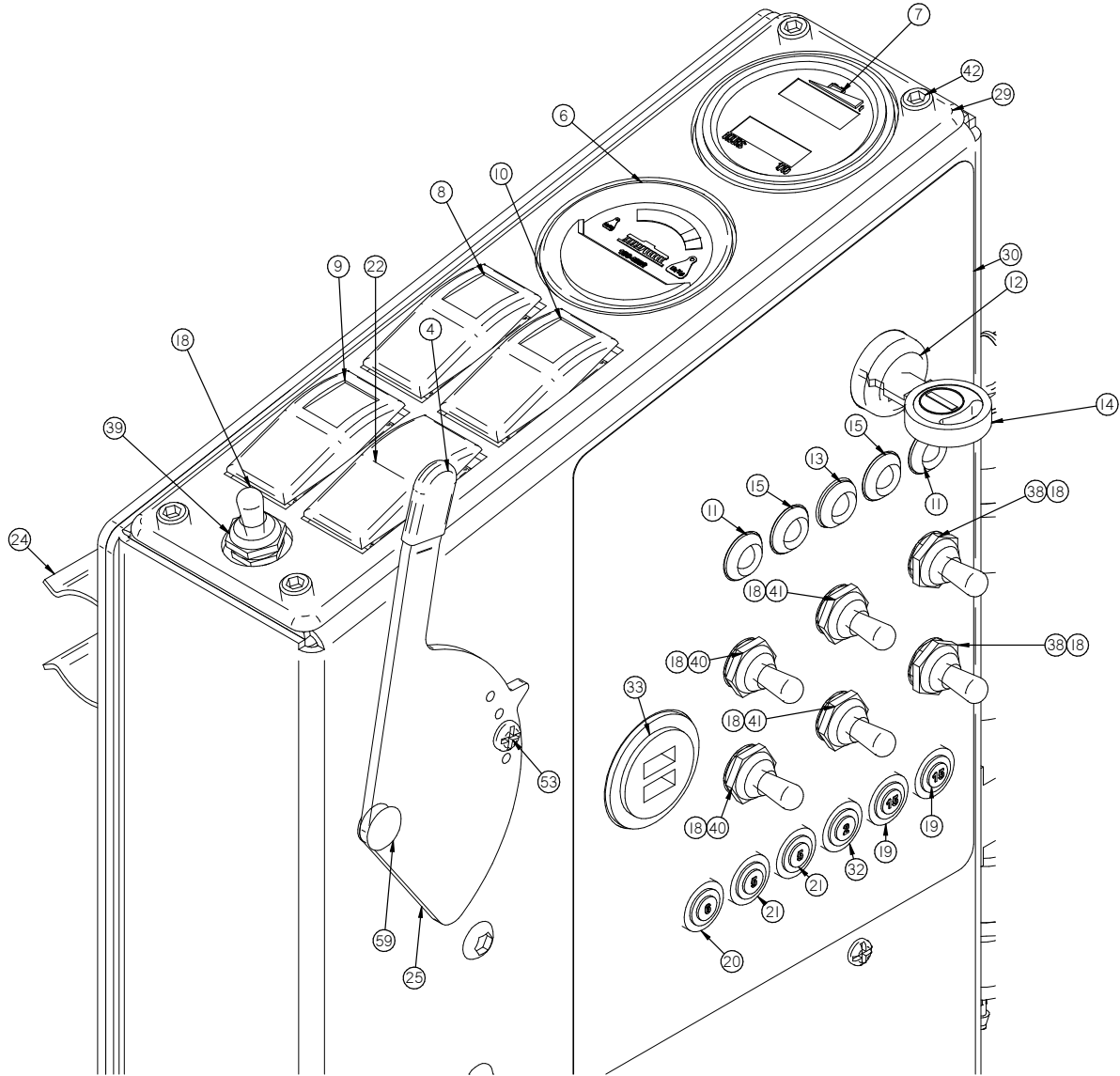
Item	Part No.	Part Description	Qty.
1	290-1247	BRONZE THRUST BEARING, .50" ID X 1.0" OD X 1/16" TH	2
2	290-7050	INDEX PLUNGER	1
3	370-1245	BUSHING	2
4	370-7204	METER STICKER	1
5	370-8261	CHARGER COUNTER	1
6	370-8920	TOGGLE, ON-OFF SPST	1
7	4-352	BEARING	1
8	500-3640	FLANGE, 1.75" ID	2
9	600-1503	HORN HEAD LIGHT AND E-STOP STICKER	1
10	8-262	HOUR METER	1
11	H-00282	FW 1/4" NYLON	4
12	H-11200	PROTECTIVE BOOT, TOGGLE SWITCH, (BLACK)	1
13	H-250HCN	HCN 1/4"-20	10
14	H-41007	AB4-3A BLIND RIVET	4
15	H-70861	NYLOK 5/16" - 18 SS	5
16	H-71015	FW 5/16 ID X 3/4 OD SS	2
17	H-71065	LW 5/16" SS	2
18	H-72681	FHP #10-32 X 3/8" SS	2
19	H-73754	BHSCS 1/4 - 20 X 3/4" SS	4
20	H-73780	BHSCS 5/16-18 X 1	2
21	H-74430	CB 5/16"- 18 X 1" SS	3



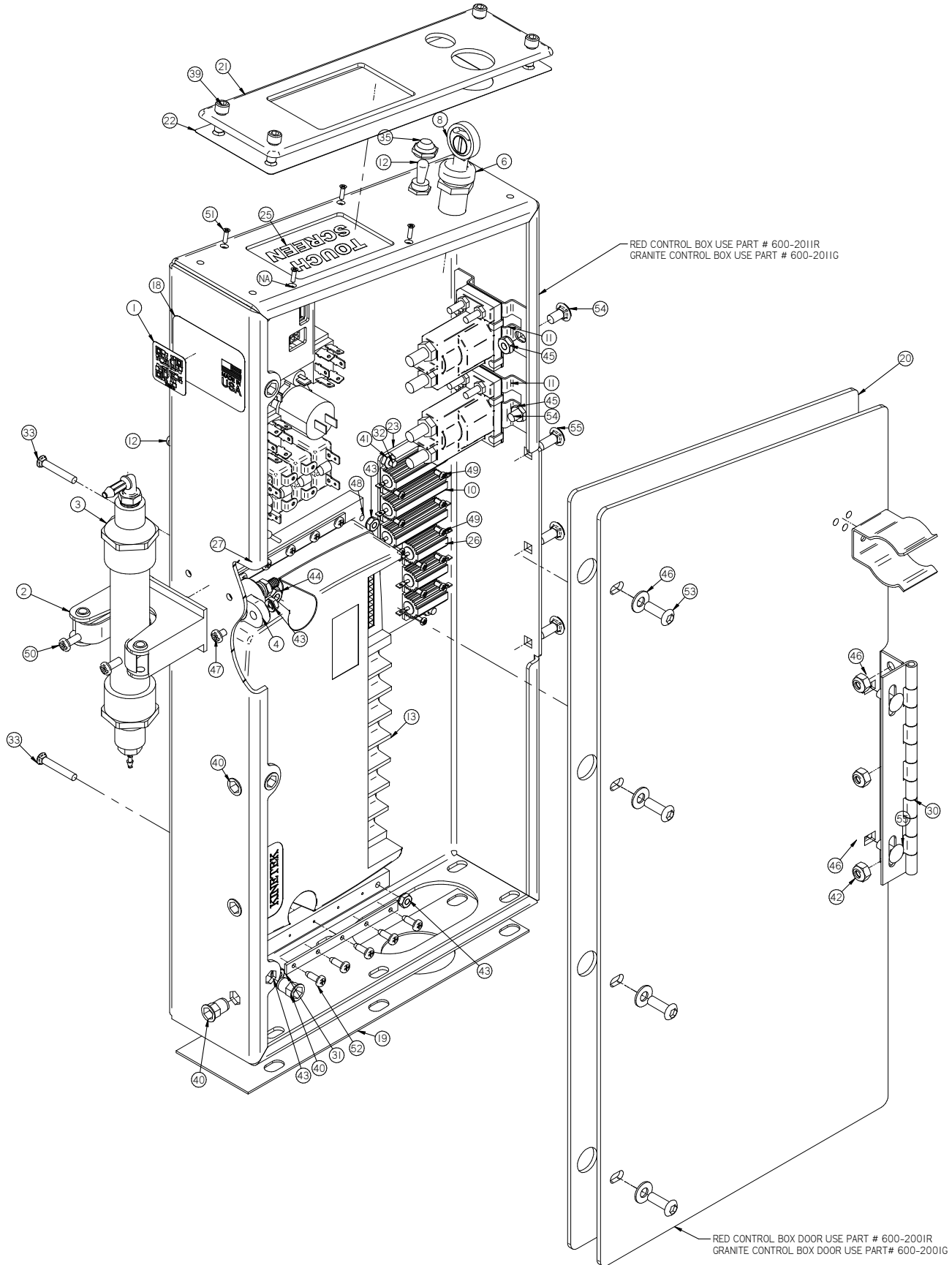


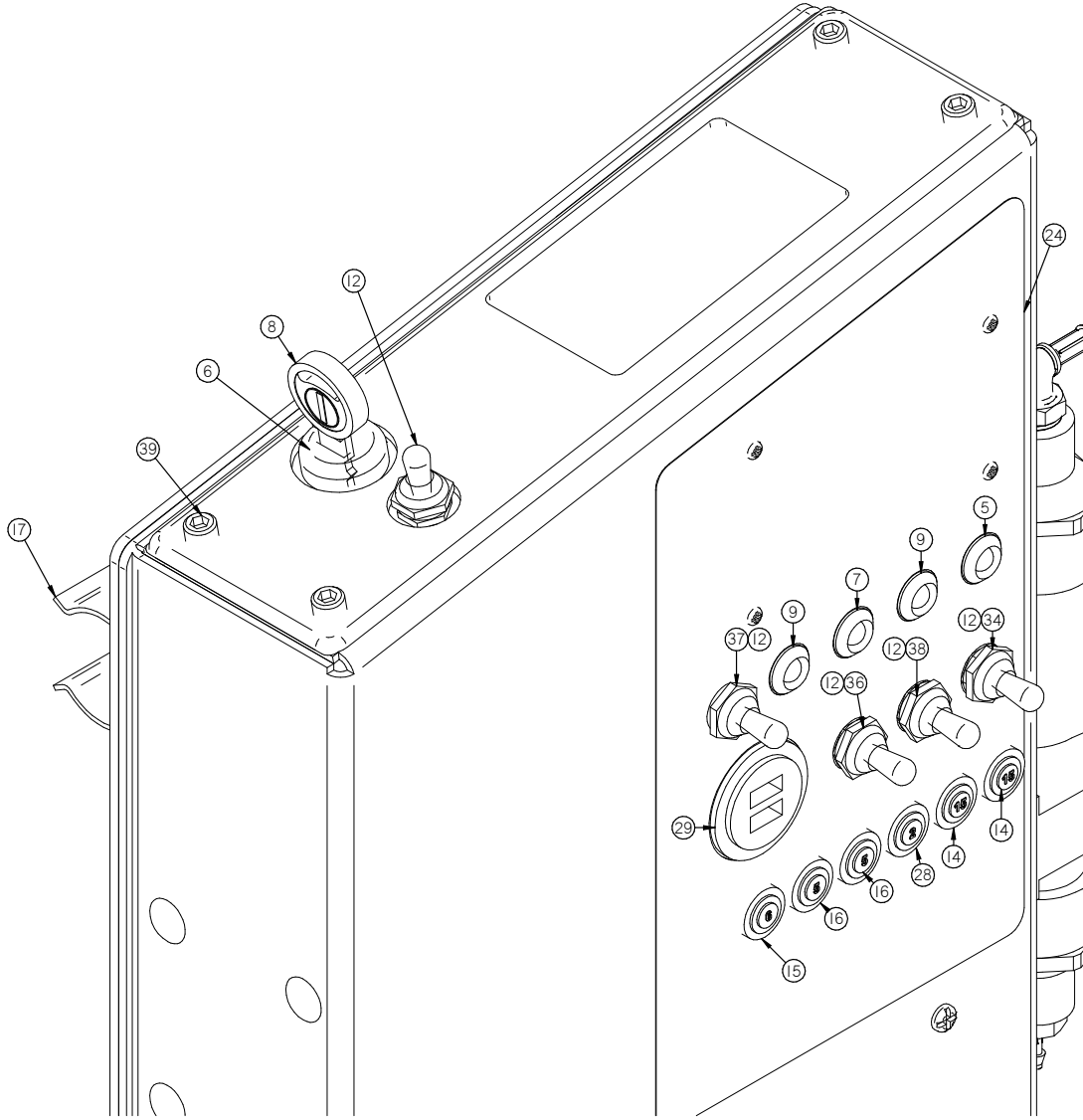
Item	Part No.	Part Description	Qty.	Item	Part No.	Part Description	Qty.
1		QR sticker	1	27	650-2019	CONTROL PANEL STICKER, FRONT	1
2	123-8860	HOSE BRACKET HOLDER	1	28	650-9581	RESISTOR	3
3	123-9134	AIR DRYER	1	29	7-229D	PUSH BUTTON SWITCH	1
4	175-2700	NEG INSULATOR POST (BLACK)	1	30	7-287	BUSS BAR UHMW	2
5	290-2330	RED LIGHT	2	31	7-837	7-837.osm	1
6	290-234	KEY SWITCH (WITH KEY)	3	32	700-2590	DUAL USB PORTS	1
7	290-2340	GREEN LIGHT	1	33	8-180	HINGE, 6-7/8" S/S	1
8	290-234A	KEY SET (REPLACE)	1	34	E-5HBB	5 HOLE BUSS BAR	2
9	290-2350	YELLOW LIGHT	2	35	H-017252I	CB #10-32 X 1" SS	6
10	290-2891	LCD SCREEN	1	36	H-11195	PROTECTIVE BOOT, TOGGLE SWITCH, (WHITE)	2
11	290-9581	RESISTOR	3	37	H-11196	PROTECTIVE BOOT, TOGGLE SWITCH, (RED)	1
12	370-2331	RELAY, 36V, SMALL, W/FLAT MTG PLATE	2	38	H-11197	PROTECTIVE BOOT, TOGGLE SWITCH, (YELLOW)	1
13	370-8210	SWITCH, TOGGLE, ON/ON (DPDT)	9	39	H-11198	PROTECTIVE BOOT, TOGGLE SWITCH, (GREEN)	1
14	370-8920	TOGGLE, ON-OFF SPST	1	40	H-11199	PROTECTIVE BOOT, TOGGLE SWITCH, (BLUE)	1
15	390-2899	CONTROLLER V4	1	41	H-11200	PROTECTIVE BOOT, TOGGLE SWITCH, (BLACK)	1
16	390-9615	FUSE, RESETTABLE, 15 AMP, 50V DC MAX	2	42	H-11201	PROTECTIVE BOOT, TOGGLE SWITCH, (GRAY)	1
17	4-284	FUSE, RESETTABLE, 6 AMP, 50V DC MAX	1	43	H-11202	PROTECTIVE BOOT, TOGGLE SWITCH, (ORANGE)	2
18	4-960	FUSE, RESETTABLE, 5 AMP, 50V DC MAX	2	44	H-250HCN	HCN 1/4"-20	7
19	5-296	DIODE BRIDGE	1	45	H-70860	NYLOK 1/4"- 20 SS	5
20	5-300	EMERGENCY SHUT OFF	1	46	H-70922	KN #8-32	4
21	5-886	WAND CLIP	1	47	H-71013	FW 1/4 ID X 5/8 OD SS	6
22	505-1500	CONTROL PANEL STICKER, TOP	1	48	H-72486	PPH #4-40 X 1/2" S/S	12
23	505-1500	METER STICKER	1	49	H-72914	PPH SMS #8 X 1/2"	10
24	600-2004	CENTRAL COMMAND DUST CURTAIN	1	50	H-73754	BHSCS 1/4 - 20 X 3/4" SS	4
25	600-2005	ACCESS COVER GASKET	1	51	H-74418	CB 1/4"- 20 X 5/8" S/S	9
26	650-2007	RESISTOR PLATE	1				





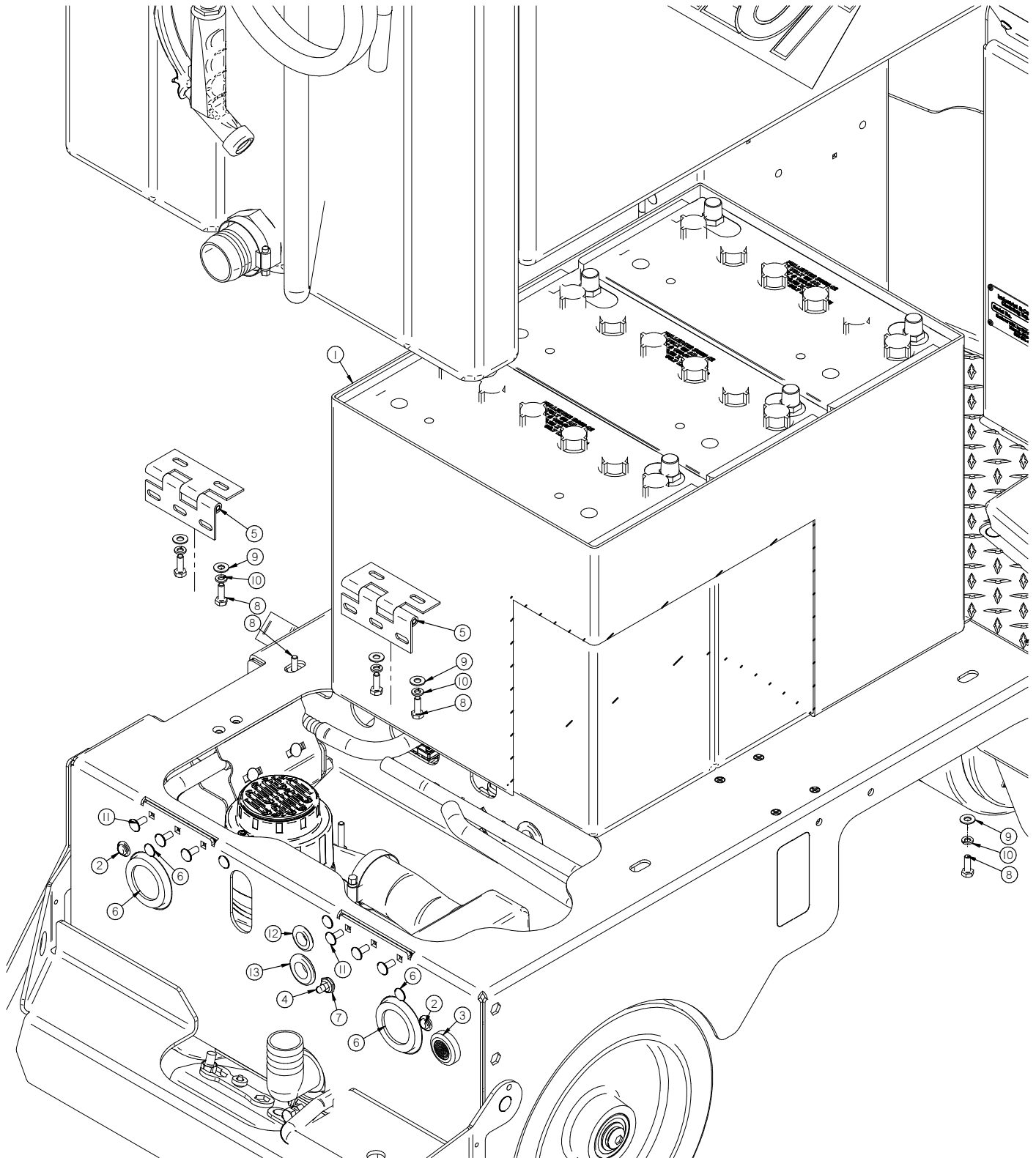
Item	Part No.	Part Description	Qty.	Item	Part No.	Part Description	Qty.
1		QR sticker	1	31	7-287	BUSS BAR UHMW	2
2	123-8860	HOSE BRACKET HOLDER	1	32	7-837	7-837.asm	1
3	123-9134	AIR DRYER	1	33	700-2590	DUAL USB PORTS	1
4	150-4480	HANDLE GRIP (BLUE)	1	34	8-180	HINGE, 6-7/8" S/S	1
5	175-2700	NEG INSULATOR POST (BLACK)	1	35	E-5HBB	5 HOLE BUSS BAR	2
6	190-4852	BRUSH PRESSURE GAUGE, 40 AMP	1	36	H-00282	FW 1/4" NYLON	1
7	200-4855	36V BATTERY AND HOUR METER	1	37	H-0172518	CB #10-32 X 1/2" SS	4
8	260-2350A	SWITCH, ROCKER, DPDT, ON/ON AMBER	1	38	H-11195	PROTECTIVE BOOT, TOGGLE SWITCH, (WHITE)	2
9	260-2351A	SWITCH, ROCKER, DPDT, ON/ON GREEN	1	39	H-11196	PROTECTIVE BOOT, TOGGLE SWITCH, (RED)	1
10	260-2352A	SWITCH, ROCKER, DPDT, ON/ON BLUE	1	40	H-11198	PROTECTIVE BOOT, TOGGLE SWITCH, (GREEN)	2
11	290-2330	RED LIGHT	2	41	H-11202	PROTECTIVE BOOT, TOGGLE SWITCH, (ORANGE)	2
12	290-234	KEY SWITCH (WITH KEY)	1	42	H-1123202	SHCS 1/4"-20 X 5/8 BLACK OXIDE	4
13	290-2340	GREEN LIGHT	1	43	H-250HCN	HCN 1/4"-20	11
14	290-234A	KEY SET (REPLACE)	1	44	H-33372	SHAFT COLLAR, 3/8" ID	3
15	290-2350	YELLOW LIGHT	2	45	H-70856	NYLOK #8-32 SS	2
16	349-2899	IDRIVE 24V 140 AMP CONTROLLER	1	46	H-70858	NYLOK #10-32 SS	6
17	370-2331	RELAY, 36V, SMALL W/FLAT MTG PLATE	4	47	H-70860	NYLOK 1/4"- 20 SS	6
18	370-8210	SWITCH, TOGGLE, ON/ON IDPDTI	7	48	H-70922	KN #8-32	6
19	390-9615.asm		2	49	H-70925	KN 1/4-20 S/S	11
20	4-284	4-284	1	50	H-71013	FW 1/4 ID X 5/8 OD SS	6
21	4-960	4-284	2	51	H-72398	PPH #8-32 X 1/2" S/S	2
22	5-234	SWITCH, ROCKER, DPDT, ON/ON	1	52	H-72418	PPH #8-32 X 1" S/S	4
23	5-293	15 AMP RELAY	4	53	H-72419	PPH #8-32 X 1-1/4" S/S	3
24	5-886	WAND CLIP	1	54	H-72515	PPH #10-32 X 1/2" S/S	2
25	500-2003	VALVE LEVER	1	55	H-72914	PPH SMS #8 X 1/2"	10
26	505-1500	METER STICKER	1	56	H-73753	BHSCS 1/4 - 20 X 5/8" SS	3
27	600-2004	CENTRAL COMMAND DUST CURTAIN	1	57	H-73754	BHSCS 1/4 - 20 X 3/4" SS	4
28	600-2005	ACCESS COVER GASKET	1	58	H-74417	CB 1/4"- 20 X 5" SS	8
29	600-2022	CENTRAL COMMAND TOP	1	59	H-74418	CB 1/4"- 20 X 5/8" S/S	6
30	650-2019	CONTROL PANEL STICKER, FRONT	1	60	M-92066A009	SCKT HEAD NUT #8-32par	2



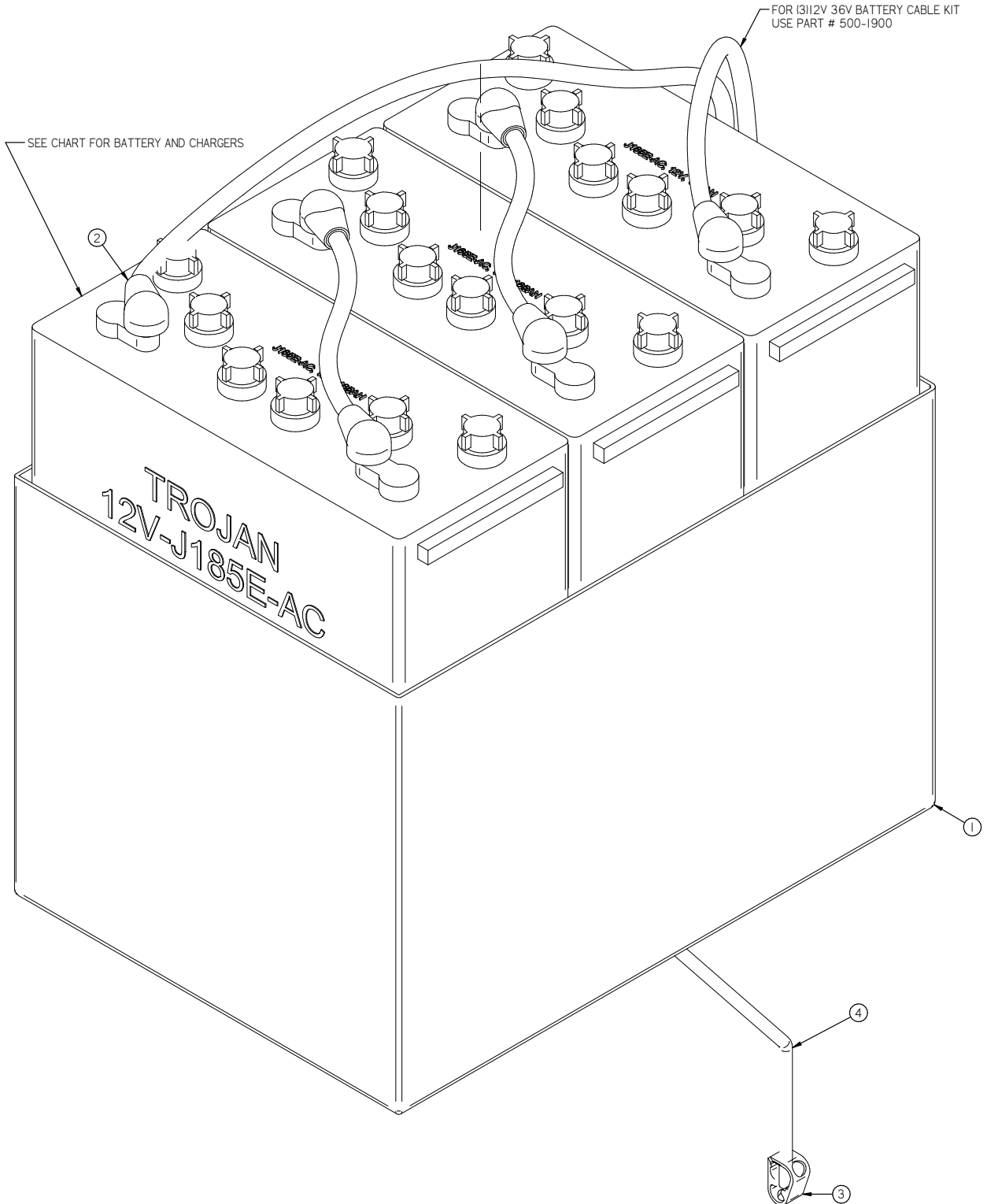


Item	Part No.	Part Description	Qty.	Item	Part No.	Part Description	Qty.
1		QR sticker	1	29	700-2590	DUAL USB PORTS	1
2	123-8860	HOSE BRACKET HOLDER	1	30	8-180	HINGE, 6-7/8" S/S	1
3	123-9134	AIR DRYER	1	31	E-5HBB	5 HOLE BUSS BAR	2
4	175-2700	NEG INSULATOR POST (BLACK)	1	32	H-0172518	CB #10-32 X 1/2" SS	2
5	290-2330	RED LIGHT	1	33	H-0172522	CB #10-32 X 1-1/4" SS	2
6	290-234	KEY SWITCH (WITH KEY)	1	34	H-11195	PROTECTIVE BOOT, TOGGLE SWITCH, (WHITE)	1
7	290-2340	GREEN LIGHT	1	35	H-11196	PROTECTIVE BOOT, TOGGLE SWITCH, (RED)	1
8	290-234A	KEY SET (REPLACE)	1	36	H-11198	PROTECTIVE BOOT, TOGGLE SWITCH, (GREEN)	1
9	290-2350	YELLOW LIGHT	2	37	H-11200	PROTECTIVE BOOT, TOGGLE SWITCH, (BLACK)	1
10	290-9581	RESISTOR	3	38	H-11202	PROTECTIVE BOOT, TOGGLE SWITCH, (ORANGE)	1
11	370-2331	RELAY, 36V, SMALL W/FLAT MTG PLATE	2	39	H-1123202	SHCS 1/4-20 X 5/8 BLACK OXIDE	4
12	370-8210	SWITCH, TOGGLE, ON/ON (DPDT)	5	40	H-250HCN	HCN 1/4"-20	7
13	390-2899	KINETECK TOUCH SCREEN CONTROLER	1	41	H-70858	NYLOK #10-32 SS	4
14	390-9615	FUSE, RESETTABLE, 15 AMP, 50V DC MAX	2	42	H-70860	NYLOK 1/4"-20 SS	5
15	4-284	FUSE, RESETTABLE, 6 AMP, 50V DC MAX	1	43	H-70922	KN #8-32	6
16	4-960	FUSE, RESETTABLE, 5 AMP, 50V DC MAX	2	44	H-70923	KN #10-32 SS	2
17	5-886	WAND CLIP	1	45	H-70925	KN 1/4-20 S/S	4
18	505-1500	METER STICKER	1	46	H-71013	FW 1/4 ID X 5/8 OD SS	6
19	600-2004	CENTRAL COMMAND DUST CURTAIN	1	47	H-72398	PPH #8-32 X 1/2" S/S	2
20	600-2005	ACCESS COVER GASKET	1	48	H-72418	PPH #8-32 X 1" S/S	4
21	600-2023	TOUCH SCREEN CC TOP	1	49	H-72486	PPH #4-40 X 1/2" S/S	12
22	600-2024	TOUCH SCREEN PROTECTOR	1	50	H-72515	PPH #10-32 X 1/2" S/S	2
23	650-2007	RESISTOR PLATE	1	51	H-72636	FHP #4-40 X .375 SS	4
24	650-2019	CONTROL PANEL STICKER, FRONT	1	52	H-72914	PPH SMS #8 X 1/2"	10
25	650-2891	4 INCH TOUCH SCREEN	1	53	H-73754	BHSCS 1/4 - 20 X 3/4" SS	4
26	650-9581	RESISTOR	3	54	H-74417	CB 1/4"- 20 X 5" SS	4
27	7-287	BUSS BAR UHMW	2	55	H-74418	CB 1/4"- 20 X 5/8" S/S	5
28	7-837	7-837.asm	1				

Attaching Tank and Batteries



Item	Part No.	Part Description	Qty.	Item	Part No.	Part Description	Qty.
1	270-0001	36V. (3) 12V. BATTERY TRAY	1	11	H-74418	CB 1/4"- 20 X 5/8" S/S	2
2	290-2310	FULL RECOVERY (RED)	2	12	M-9307K65	GROMMET .625 ID X 1.125 OD HOLE .125 THICK PANEL	1
3	370-2930	ALARM (91 dPa)	1	13	M-9307K82	GROMMET, 3/4" ID X 1-3/8" OD BUNA-N	1
4	370-8920	TOGGLE, ON-OFF SPST	1				
5	500-1220	4" SS HINGE	2				
6	500-2910	HEAD LIGHT	2				
7	H-11199	PROTECTIVE BOOT, TOGGLE SWITCH, (BLUE)	1				
8	H-70003	HCS 1/4"-20 X 3/4" SS	7				
9	H-71013	FW 1/4 ID X 5/8 OD SS	7				
10	H-71063	LW 1/4" SS	6				

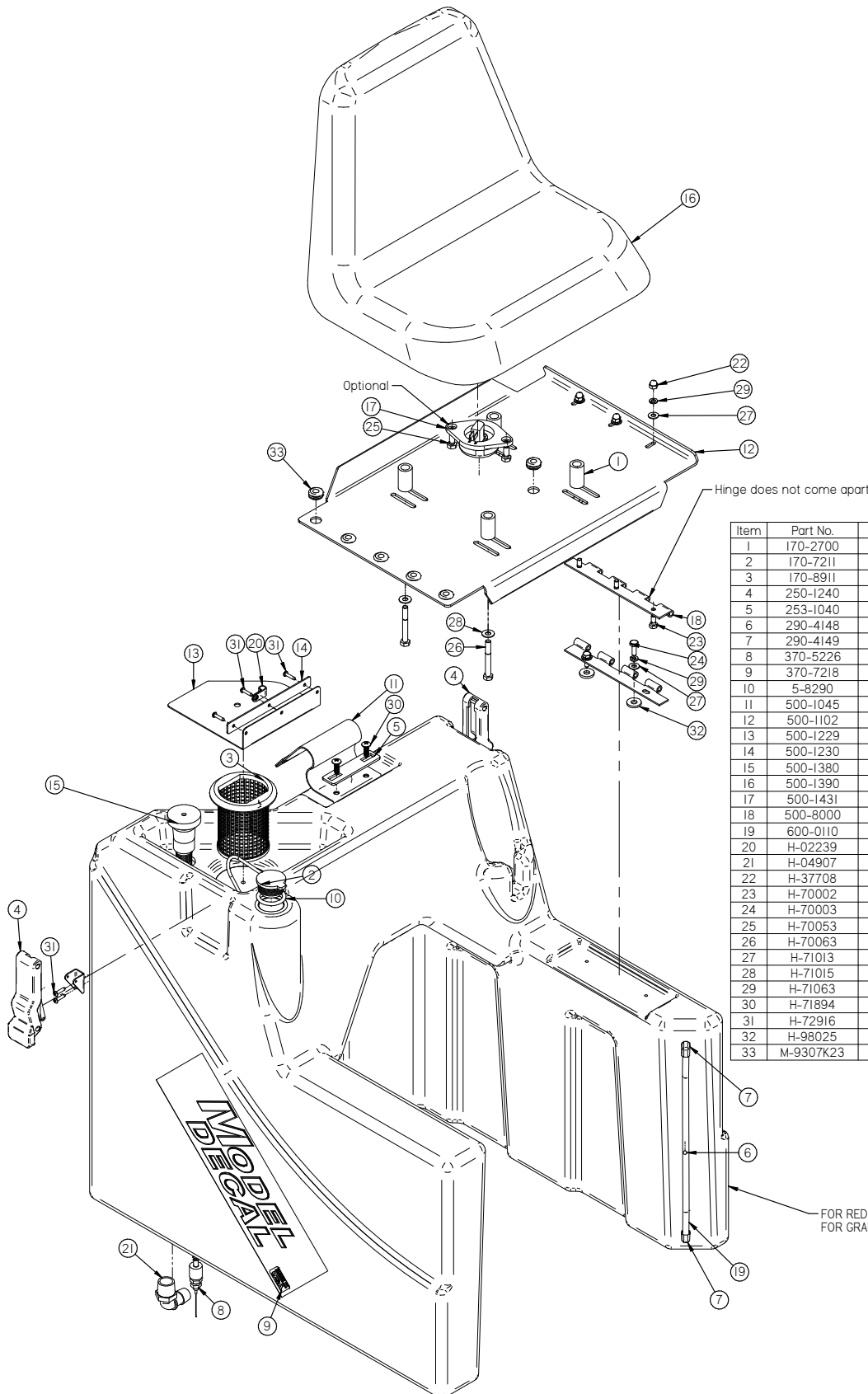


Item	Part No.	Part Description	Qty.
1	270-0001	36V. (3) 12V. BATTERY TRAY	1
2	H-40031	BATTERY BOOT	6
3	M-5031K12	CLAMP STYLE PINCH VALVE	1
4	T-031B1450	BATTERY DRAIN HOSE	1

WHICH BATTERY CHARGER TO USE WITH BATTERY SELECTION

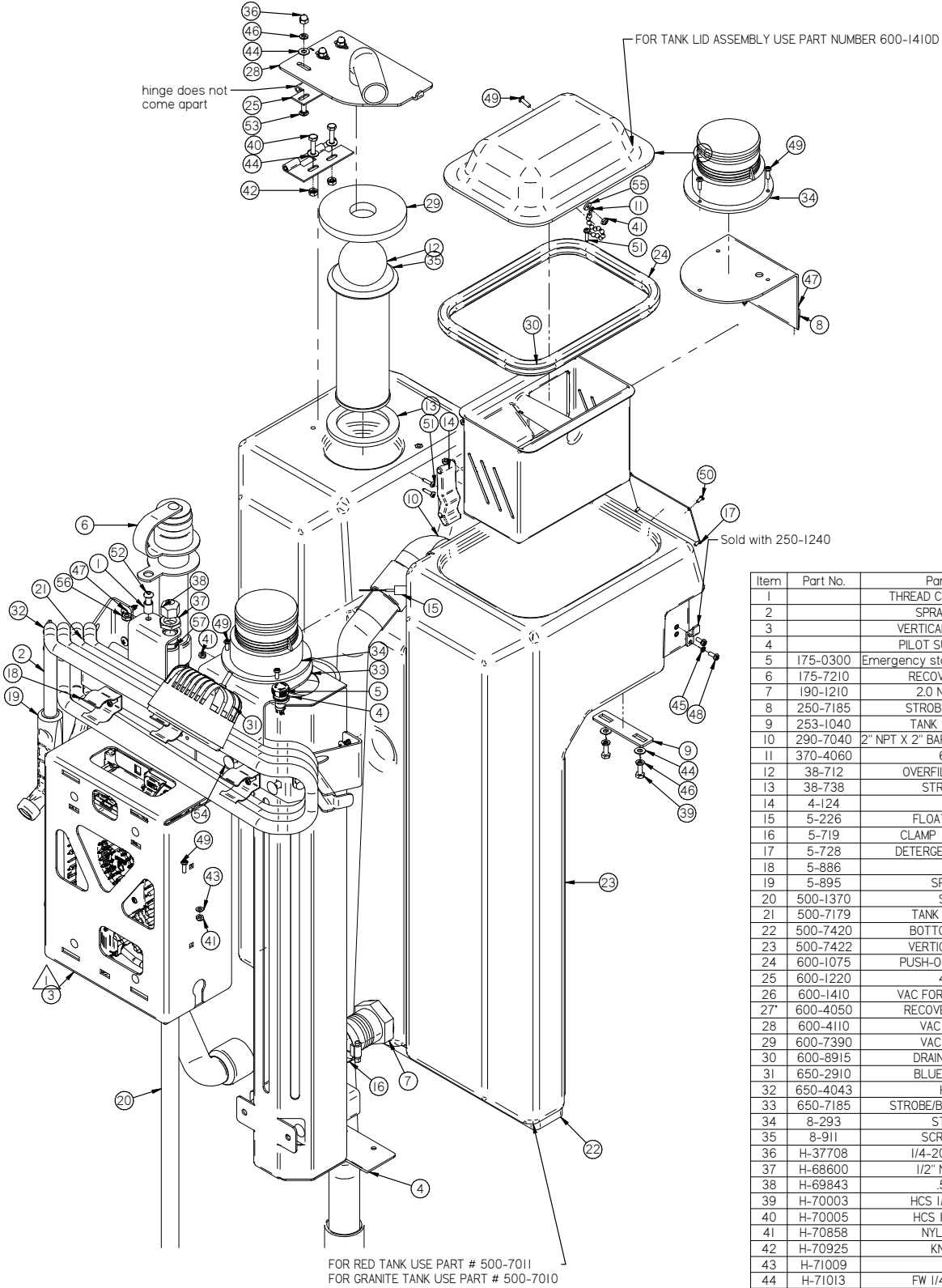
Battery Part Number & Description	Off-Board Charger North American	Off-Board Charger Export	On-Board Charger North American	On-Board Charger Export
STANDARD 253-2110 112V, 175 AHJ WET	250-2540	250-2447	250-2441	
OPTIONAL 270-2110 112V, 225 AHJ WET	250-2540	250-2447	250-2441	
OPTIONAL 253-2120 112V 215 AHJ AGM	250-2447	250-2447		

Solution Tank

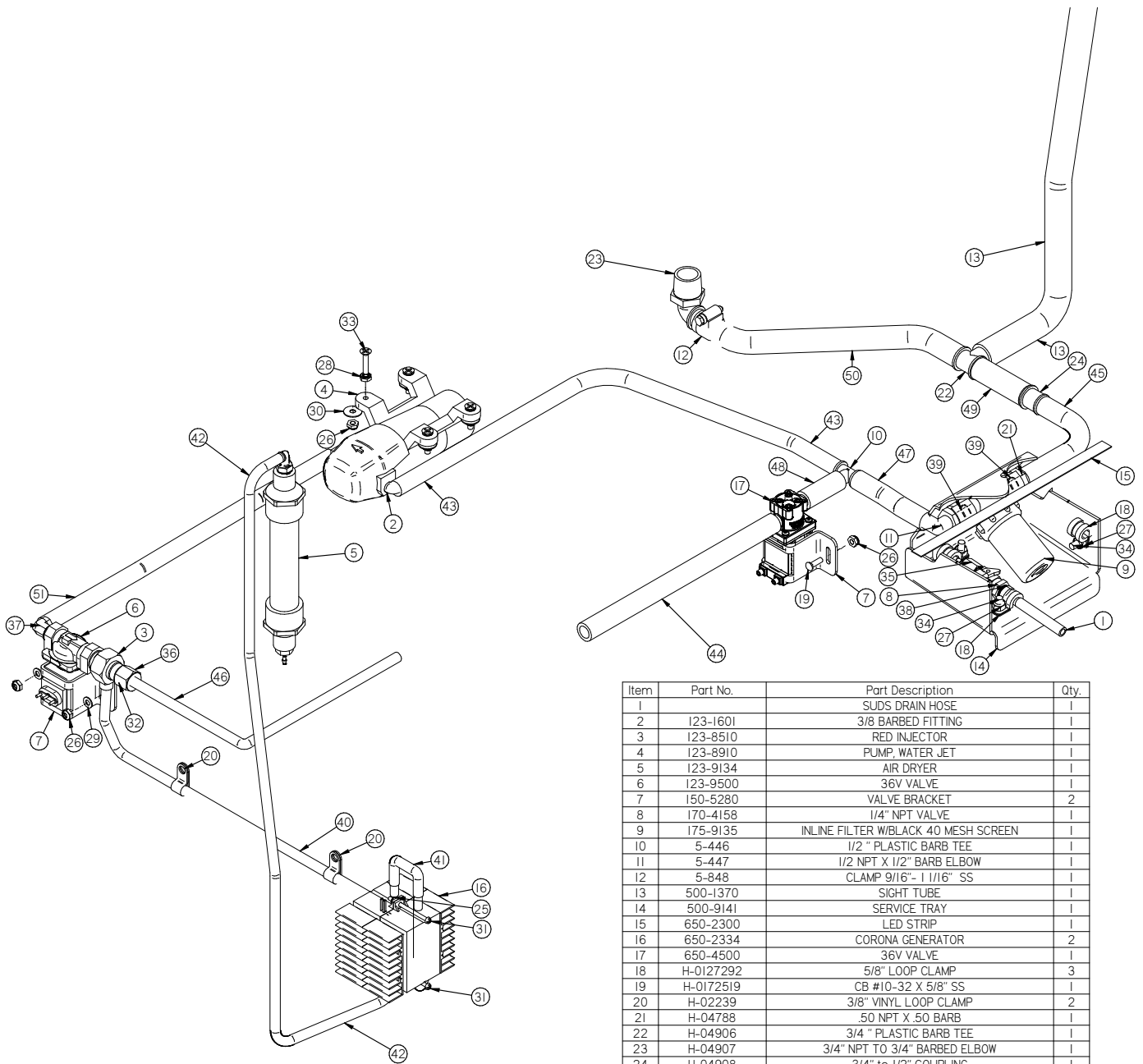


Item	Part No.	Part Description	Qty.
1	170-2700	SPACER, 1-1/2" LG	4
2	170-7211	1-1/2 HOSE CAP	1
3	170-8911	SCREEN STRAINER, 4-1/4" LG	1
4	250-1240	LATCH	2
5	253-1040	TANK STRAP SUPPORT	1
6	290-4148	7/32" POLYPROPYLENE BALL	1
7	290-4149	1/4" NPT X 1/4" BARB X 90 DEG	2
8	370-5226	FLOAT VALVE SWITCH	1
9	370-7218	USA STICKER	2
10	5-8290	O-RING, #324, 1.35" X 1.77" X .210" BUNA-N	1
11	500-1045	TANK STRAP, 22" LG X 4" WIDE	1
12	500-1102	BATTERY LID	1
13	500-1229	SPLASH CURTAIN	1
14	500-1230	CURTAIN BAND	1
15	500-1380	FILL HOSE	1
16	500-1390	SEAT	1
17	500-1431	SEAT SWITCH	1
18	500-8000	8" SS HINGE SHORT FLANGE	1
19	600-0110	sight tube	1
20	H-02239	3/8" VINYL LOOP CLAMP	1
21	H-04907	3/4" NPT TO 3/4" BARBED ELBOW	1
22	H-37708	1/4-20 LC ACORN NUT	3
23	H-70002	HCS 1/4"-20 X 5/8" SS	3
24	H-70003	HCS 1/4"-20 X 3/4" SS	2
25	H-70053	HCS 5/16"-18 X 3/4" SS	2
26	H-70063	HCS 5/16"-18 X 2-1/2" SS	4
27	H-71013	FW 1/4 ID X 5/8 OD SS	5
28	H-71015	FW 5/16 ID X 3/4 OD SS	4
29	H-71063	LW 1/4" SS	5
30	H-71894	#14 X 1" SELF TAPPING SCREW	2
31	H-72916	PPH SMS #8 X 3/4" SS	7
32	H-98025	FW 3/8" GRADE 8	2
33	M-9307K23	GROMMET .625 DIAMETER HOLE .125 THICK PANEL	6

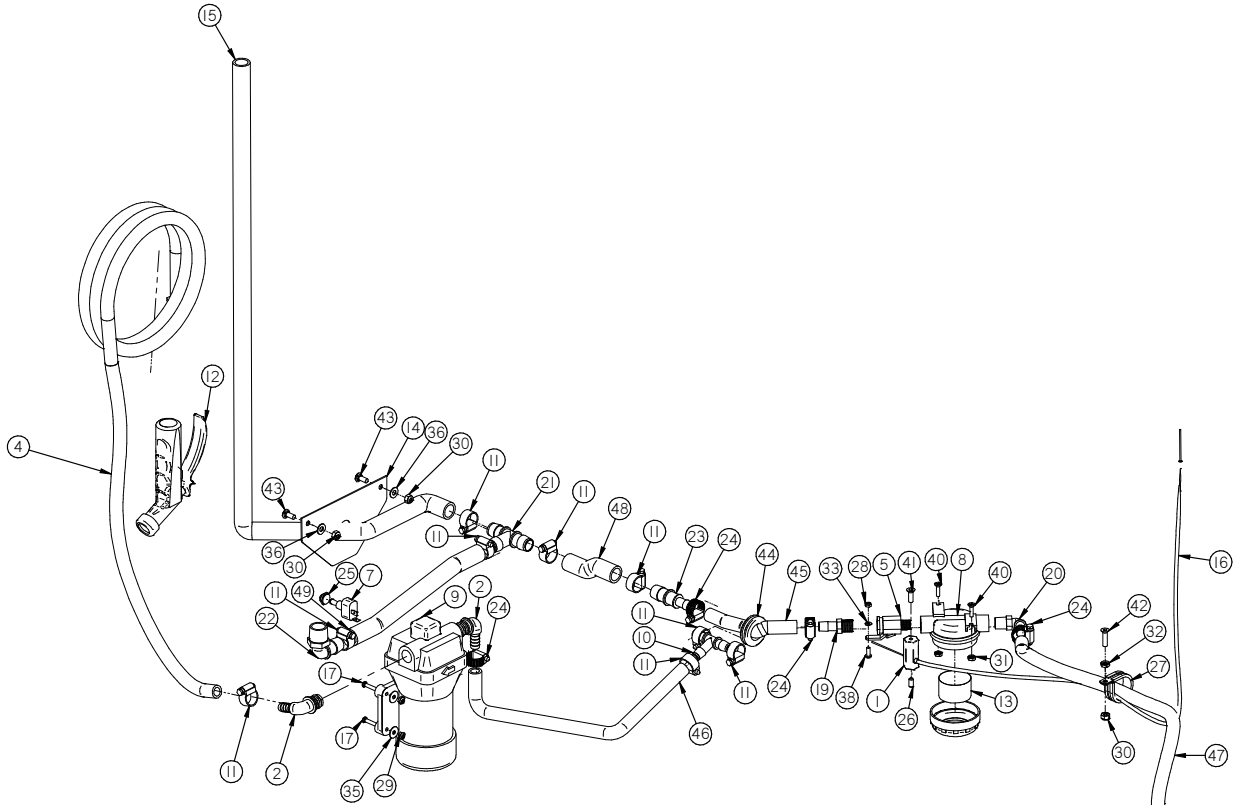
FOR RED TANK USE PART # 500-4141
FOR GRANITE TANK USE PART # 500-4140



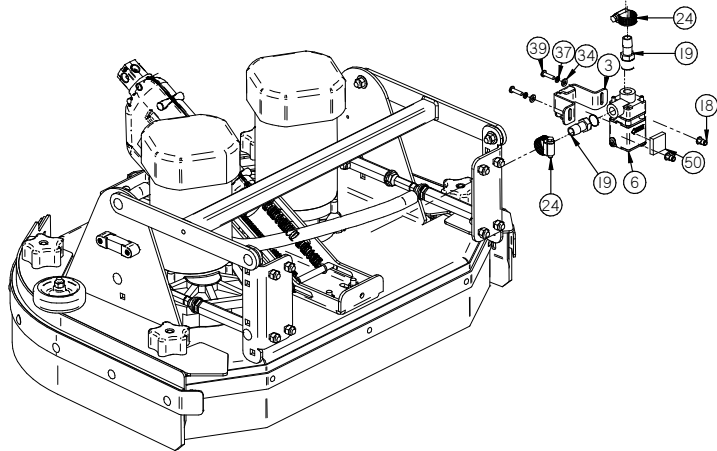
Item	Part No.	Part Description	Qty.
1		THREAD COVER BLACK TUBING	1
2		SPRAY JET HOSE	1
3		VERTICAL CHARGER MOUNT	1
4		PILOT SUDS BRACKET	asm
5	175-0300	Emergency stop switch, 51 series, IC/O	1
6	175-7210	RECOVERY DRAIN HOSE	1
7	190-1210	2.0 NPT X 2.0" BARB	1
8	250-7185	STROBE LIGHT BRACKET	1
9	253-1040	TANK STRAP SUPPORT	1
10	290-7040	2" NPT X 2" BARB STREET ELBOW, BLACK	1
11	370-4060	6" LANYARD	1
12	38-712	OVERFILL SHUTOFF BALL	1
13	38-738	STRAINER GASKET	1
14	4-124	LATCH	1
15	5-226	FLOAT VALVE SWITCH	1
16	5-719	CLAMP 1 9/16 - 2 1/2" SS	1
17	5-728	DETERGENT WARNING PLATE	1
18	5-886	WAND CLIP	3
19	5-895	SPRAY NOZZLE	1
20	500-1370	SIGHT TUBE	1
21	500-7179	TANK UTILITY HANDLE	1
22	500-7420	BOTTOM TANK GASKET	1
23	500-7422	VERTICAL TANK GASKET	2
24	600-1075	PUSH-ON RUBBER GASKET	1
25	600-1220	4" SS HINGE	1
26	600-1410	VAC FORMED CLEAR COVER	1
27	600-4050	RECOVERY TANK GASKET	1
28	600-4110	VAC SCREEN INLET	1
29	600-7390	VAC INLET GASKET	1
30	600-8915	DRAIN SAVER BASKET	1
31	650-2910	BLUE WARNING LIGHT	1
32	650-4043	HOSE WRAP	2
33	650-7185	STROBE/BLUE LIGHT BRACKET	1
34	8-293	STROBE LIGHT	2
35	8-911	SCREEN STRAINER	1
36	H-37708	1/4-20 LC ACORN NUT	3
37	H-68600	1/2" NPT BRASS NUT	1
38	H-69843	.50 NPT CAP	1
39	H-70003	HCS 1/4"-20 X 3/4" SS	2
40	H-70005	HCS 1/4"- 20 X 1" SS	2
41	H-70858	NYLOK #10-32 SS	14
42	H-70925	KN 1/4-20 S/S	2
43	H-71009	FW #10 SS	1
44	H-71013	FW 1/4 ID X 5/8 OD SS	7
45	H-71059	LW #10, SS	4
46	H-71063	LW 1/4" SS	5
47	H-71894	#14 X 1" SELF TAPPING SCREW	7
48	H-72515	PPH #10-32 X 1/2" S/S	10
49	H-72517	PPH #10-32 X 5/8" SS	8
50	H-72902	PPH SMS #6 X 3/8" SS	4
51	H-72916	PPH SMS #8 X 3/4" SS	3
52	H-73780	BHSCS 5/16-18 X 1	1
53	H-74418	CB 1/4"- 20 X 5/8" S/S	9
54	H-74442	CB 3/8"- 16 X 3-1/2" SS	2
55	H-90133	.17 ID X .5 OD X .093 NEOPRENE WASHER	1
56	H-N105C	JNYI 5/16"- 18 SS	1



Item	Part No.	Part Description	Qty.
1		SUDS DRAIN HOSE	1
2	123-1601	3/8 BARBED FITTING	1
3	123-8510	RED INJECTOR	1
4	123-8910	PUMP, WATER JET	1
5	123-9134	AIR DRYER	1
6	123-9500	36V VALVE	1
7	150-5280	VALVE BRACKET	2
8	170-4158	1/4" NPT VALVE	1
9	175-9135	INLINE FILTER W/BLACK 40 MESH SCREEN	1
10	5-446	1/2" PLASTIC BARB TEE	1
11	5-447	1/2 NPT X 1/2" BARB ELBOW	1
12	5-848	CLAMP 9/16"- 1 1/16" SS	1
13	500-1370	SIGHT TUBE	1
14	500-9141	SERVICE TRAY	1
15	650-2300	LED STRIP	1
16	650-2334	CORONA GENERATOR	2
17	650-4500	36V VALVE	1
18	H-0127292	5/8" LOOP CLAMP	3
19	H-0172519	CB #10-32 X 5/8" SS	1
20	H-02239	3/8" VINYL LOOP CLAMP	2
21	H-04788	.50 NPT X .50 BARB	1
22	H-04906	3/4" PLASTIC BARB TEE	1
23	H-04907	3/4" NPT TO 3/4" BARBED ELBOW	1
24	H-04908	3/4" TO 1/2" COUPLING	1
25	H-70855	NYLOK #6-32 SS	1
26	H-70858	NYLOK #10-32 SS	7
27	H-70860	NYLOK 1/4"- 20 SS	3
28	H-70923	KN #10-32 SS	4
29	H-71009	FW #10 SS	2
30	H-71010	FW #10 ID X 1 1/16 OD SS	4
31	H-72393	PPH #6-32 X 2" MS S/S	2
32	H-72683	FHP #10-32 X 5/8" SS	1
33	H-72685	FHP 10-32 X 1" SS	4
34	H-74419	CB 1/4"- 20 X .75" SS	3
35	M-5346K51	.25 NPTF X .1875 BRASS BARBED HOSE FITTING	1
36	M-5346K52	.375 NPT X .25 BRASS BARBED HOSE FITTING	1
37	M-53525K18	.375 NPT X 3/75 BRASS BARBED ELBOW	1
38	M-5463K445	.25 NPT X .25 BARB	1
39	M-9434T22	1.0 DIA One Hole Tube Clamp	2
40	T-025CS6000	BULK 1/4" ID CLEAR SILICONE ZERO HOSE	1
41	T-025CS6000	BULK 1/4" ID CLEAR SILICONE ZERO HOSE	1
42	T-025CS6000	BULK 1/4" ID CLEAR SILICONE ZERO HOSE	1
43	T-050R6000	BULK 1/2" WIRE REINFORCED HOSE	1
44	T-050R6000	BULK 1/2" WIRE REINFORCED HOSE	1
45	T-050R6000	BULK 1/2" WIRE REINFORCED HOSE	1
46	T-050R6000	BULK 1/2" WIRE REINFORCED HOSE	1
47	T-050R6000	BULK 1/2" WIRE REINFORCED HOSE	1
48	T-050R6000	BULK 1/2" WIRE REINFORCED HOSE	1
49	T-075R6000	BULK 3/4" WIRE REINFORCED HOSE	1
50	T-075R6000	BULK 3/4" WIRE REINFORCED HOSE	1
51	T-375R6000	BULK 3/8" WIRE REINFORCED HOSE	1



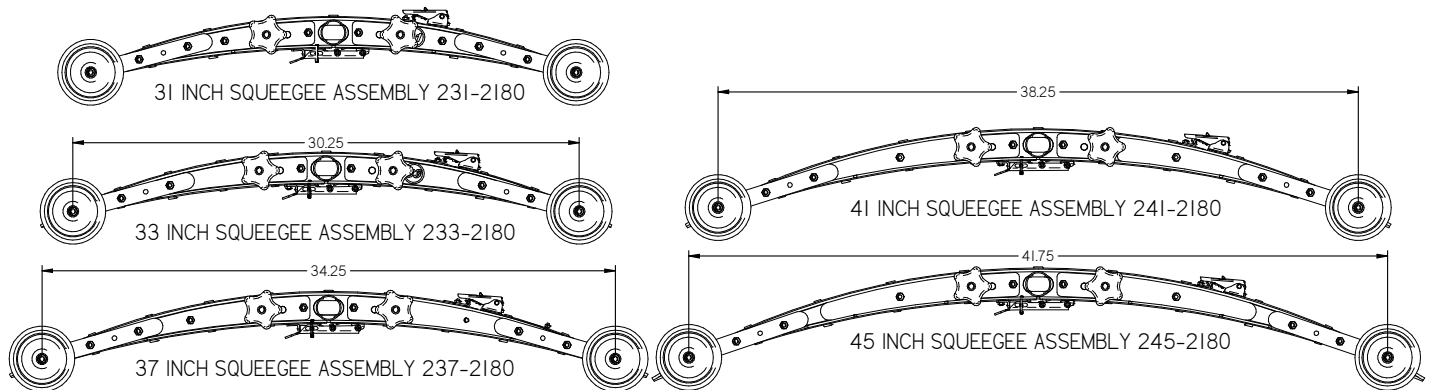
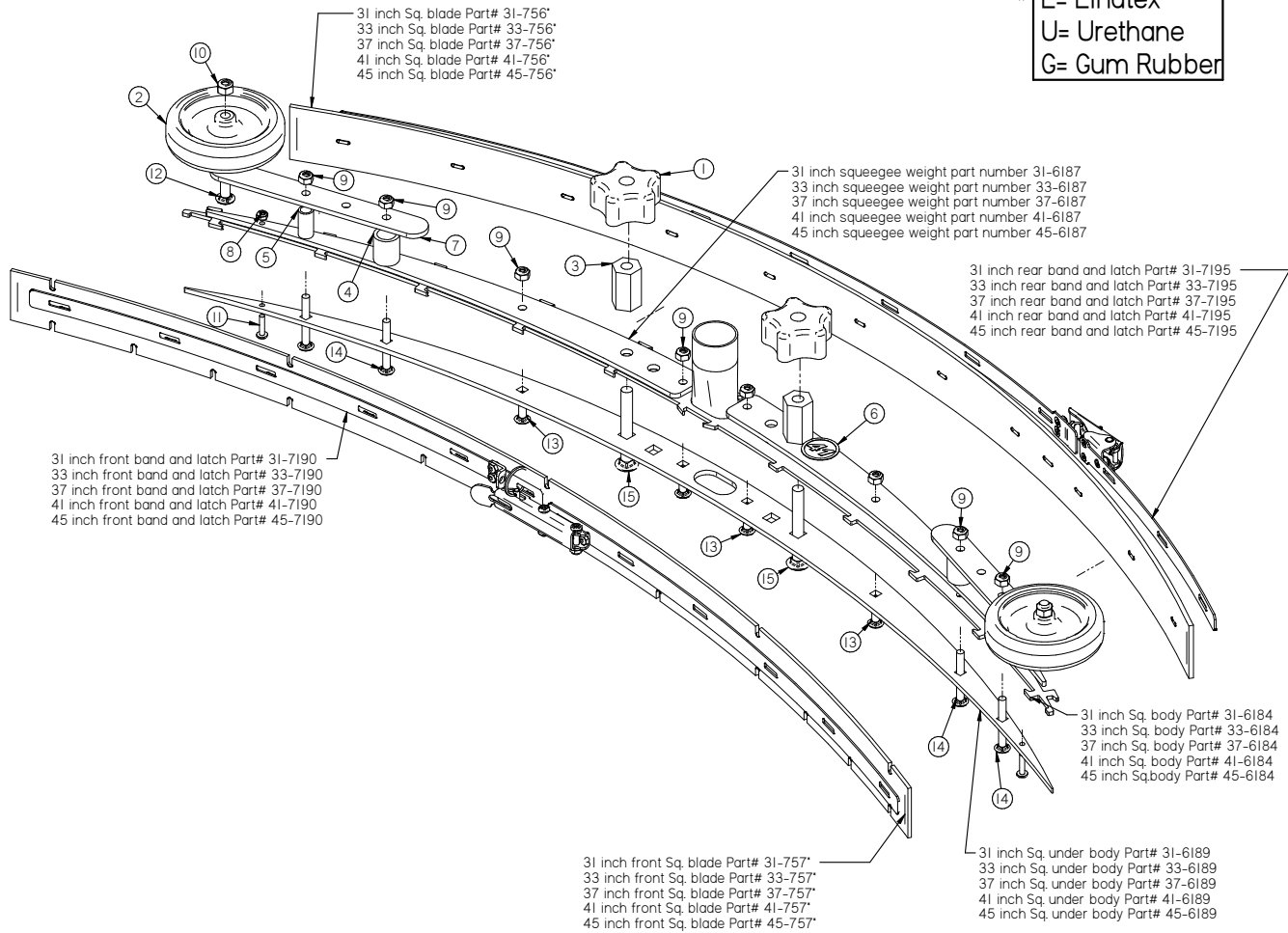
Item	Part No.	Part Description	Qty.
1	150-9131	CABLE GUIDE	1
2	21-1601	1/2" BARBED ELBOW (PLASTIC)	2
3	250-5280	VALVE BRACKET	1
4	290-8960	spray hose	1
5	370-4158	BALL VALVE, 3/8"	1
6	370-7245	FLOW VALVE	1
7	370-8920	TOGGLE, ON-OFF SPST	1
8	370-9130	IN LINE FILTER BODY	1
9	430-8910	PUMP, WATER JET, 36V	1
10	5-446	1/2" PLASTIC BARB TEE	1
11	5-848	CLAMP 9/16" - 1 1/16" SS	9
12	5-895	SPRAY NOZZLE	1
13	5-913S	INLINE FILTER SCREEN	1
14	500-1076	REAR FRAME CURTAIN	1
15	500-1370	Rear sight tube	1
16	500-2014	PUSH/PULL CABLE SLEEVE	1
17	H-0172522	CB #10-32 X 1-1/4" SS	3
18	H-02309	HCN #10-32, LG CRIMP	2
19	H-04763	.375 NPT X .50 BARB	3
20	H-04764	ELBOW, 90 DEG X 3/8" MNPT X 1/2" BARB, NYLON	1
21	H-04906	3/4" PLASTIC BARB TEE	1
22	H-04907	3/4" NPT TO 3/4" BARBED ELBOW	1
23	H-04908	3/4" to 1/2" COUPLING	1
24	H-081	CLAMP 7/16" - 25/32" SS	6
25	H-11199	PROTECTIVE BOOT, TOGGLE SWITCH, (BLUE)	1
26	H-25382	SETSCREW, KCP, 1/4"-20 X 1/2"	1
27	H-3225T	1-1/2" LOOP CLAMP	1
28	H-70855	NYLOK #6-32 SS	1
29	H-70858	NYLOK #10-32 SS	1
30	H-70860	NYLOK 1/4"- 20 SS	3
31	H-70923	KN #10-32 SS	1
32	H-70925	KN 1/4-20 S/S	1
33	H-71007	FW #8 SS	1
34	H-71009	FW #10 SS	1
35	H-71010	FW #10 ID X 11/16 OD SS	1
36	H-71013	FW 1/4 ID X 5/8 OD SS	2
37	H-71059	LW #10, SS	1
38	H-72516	PPH #6-32 X 1/2" SS	1
39	H-72534	PPH #10-32 X 3/4" S/S	1
40	H-72684	FHP 10-32 X 3/4" SS	2
41	H-73882	FHSCS 1/4- 20 X 3/4" S/S	1
42	H-73883	FHSCS 1/4- 20 X 1.0" S/S	1
43	H-74418	CB 1/4"- 20 X 5/8" S/S	2
44	H-9307K74	GROMMET, 1" ID X 1-3/4" OD BUJA-N	1
45	T-050R0800	1/2" ID X 8' LG SOLUTION HOSE	1
46	T-050R0900	1/2" ID X 9' LG SOLUTION HOSE	1
47	T-050R2300	1/2" ID X 23' LG SOLUTION HOSE	1
48	T-075R0500	3/4" ID X 5' LG SOLUTION HOSE	1
49	T-075R1400	3/4" ID X 14' LG SOLUTION HOSE	1
50	T-438350025	VALVE PAD	1



Squeegees

Item	Part No.	Part Description	Qty.
1	150-5786	STAR KNOB, 3/8-16 THREAD	2
2	150-7600	4" SIDE WHEEL (GREY)	2
3	33-8460	STANDOFF, 1.5"	2
4	37-0007	SQUEEGEE ROLLER SPACER	2
5	37-0008	SQUEEGEE ROLLER SPACER	2
6	41-1600	41 inch sticker	1
7	41-7183	SQUEEGEE ROLLER BRACKET	2
8	H-70856	NYLON #8-32 SS	2
9	H-70860	NYLON 1/4" - 20 SS	8
10	H-70861	NYLON 5/16" - 18 SS	2
11	H-72416	PPH #8-32 X 3/4" S/S	2
12	H-74401	CB 5/16" - 18 X 1-3/4" SS	2
13	H-74420	CB 1/4" - 20 X 1.0" SS	4
14	H-74423	CB 1/4" - 20 X 2.0" SS	4
15	H-74441	CB 3/8" - 16 X 3.0" SS	2

* L= Linatex
U= Urethane
G= Gum Rubber



ROUND DISK BRUSHES:

NOTICE

The ## in Disk Column Denotes Desk Pad Size: 13" or 14"

BRUSHES	DISK	LEVEL
Super Grit	##-382SS	Very High
Tough Grit	##-382S	High
Midi Grit	##-382C	Medium
Light Grit	##-382PS	Moderate
Poly	##-382P	Light
Nylon	##-382N	Light
Tampico	##-382T	Light
Pad Driver	##-382D	
Diamond Driver	##-382DD	

ROUND DISK PADS:

NOTICE

The ## in Disk Column Denotes Desk Pad Size: 13" or 14"

DISK PADS	DISK	LEVEL	COLOR
Super Black	##-422BB	Very High	Black
Black	##-422B	High	Black
Brown	##-422BR	High	Brown
Green	##-422G	Medium	Green
Blue	##-422BL	Moderate	Blue
Red	##-422R	Moderate	Red
White	##-422W	Light	White

CYLINDRICAL BRUSHES:

BRUSHES	MODEL 25" CYLINDRICAL	MODEL 29" CYLINDRICAL	LEVEL
Tough Grit	236-697S	276-697S	High
Midi Grit	236-697C	276-697C	Medium
Light Grit	236-697PS	276-697PS	Moderate
Nylon	236-697N	276-697N	Light
Tampico	236-697T	276-697T	Light

EDGE PADS AND SCREENS:

DESCRIPTION	24"×14" SCRUBDECK	28"×14" SCRUBDECK
White Pad	N/A	EDGE-4054
Red Pad	EDGE-2404	EDGE-4053
Blue Pad	EDGE-2403	EDGE-4052
Green Pad	EDGE-2402	EDGE-4051
Black Pad	EDGE-2401	EDGE-4050
White Driver Pad	N/A	EDGE-4058
400 Grit Diamond Polishing Pad	N/A	EDGE-4013
800 Grit Diamond Polishing Pad	N/A	EDGE-4014
1500 Grit Diamond Polishing Pad	N/A	EDGE-4015
3000 Grit Diamond Polishing Pad	N/A	EDGE-4016
6000 Grit Diamond Polishing Pad	N/A	EDGE-4070
Tile/Grout Renovator Pad	N/A	EDGE-4048
Dominator HD Strip Pad	N/A	EDGE-4055
Maroon ECO Prep Pad	EDGE-2407	EDGE-4056

Common Wear Parts

SQUEEGEE BLADE KITS & COMPLETE SQUEEGEE ASSEMBLIES:

SQUEEGEE SIZE	26" DISK DECKS	28" DISK DECKS	25" CYL. DECKS	29" CYL. DECKS	24" EDGE DECKS	28" EDGE DECK
33" Squeegee	Standard	Optional	Standard	Optional	Standard	Optional
37" Squeegee	Optional	Standard	Optional	Standard	Optional	Standard

SQUEEGEE SIZE	LINATEX BLADE KIT	GUM RUBBER BLADE KIT	URETHANE BLADE KIT	COMPLETE SQUEEGEE ASSEMBLIES
33" Squeegee	233-770L	233-770G	233-770U	33-2180
37" Squeegee	237-770L	237-770G	237-770U	37-2180
41" Squeegee	241-770L	241-770G	241-770U	41-2180

SQUEEGEE MATERIAL:	USED FOR:
LINATEX	Provides best wear and tear resistance. Not designed for use with harsh chemicals.
URETHANE	Provides best resistance when dealing with harsh chemicals, oils, fuels, etc.
GUM	Provides best drying performance on rough/grouted floor types by sealing over irregularities. Short life.

NOTICE

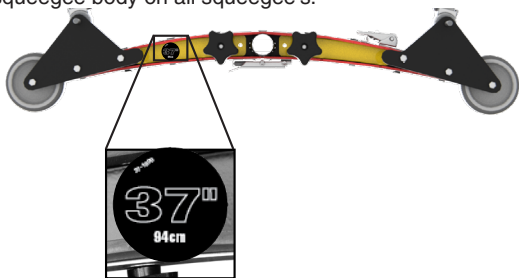
Squeegee blade kits include (1) Rear Blade, (1) Front Blade, and (2) Caster Wheels with hardware.

NOTICE

Squeegee Assemblies (complete) listed above all come with Linatex blades.

NOTICE

Size is indicated by decal on top of the painted steel squeegee body on all squeegee's.



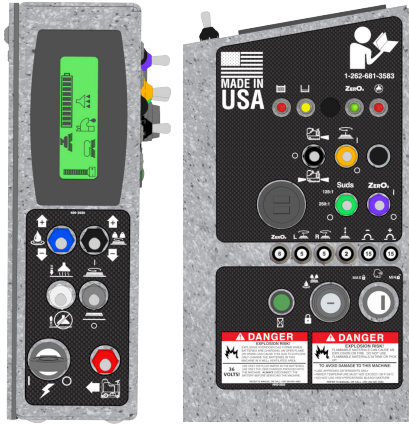
Central Command Decals

Military Grade




Part #:600-2025

Legacy



Part #:600-2020

Touch Screen



Part #:600-6026

Models / Options / Squeegee Size Decals



★ Handmade In USA - Since 1986 ★

Part #:500-1512



Part #:370-7202



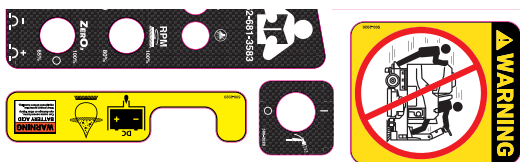
Part #:175-1518



Part #:123-1837



Part #:123-1838



Part #:500-2020



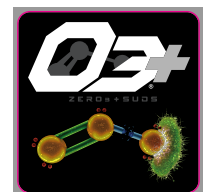
Part #:33-1600



Part #:37-1600



Part #:41-1600



Part #:123-1843

BLANK
THIS PAGE WAS INTENTIONALLY LEFT BLANK

BLANK
THIS PAGE WAS INTENTIONALLY LEFT BLANK



1711 South Street
Racine, WI 53404
www.tomcatequip.com
Tel. US: 800-450-9824
Tel. Int: (001) 262-681-6470