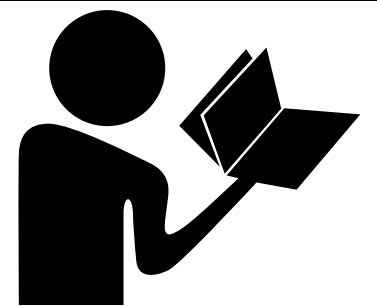
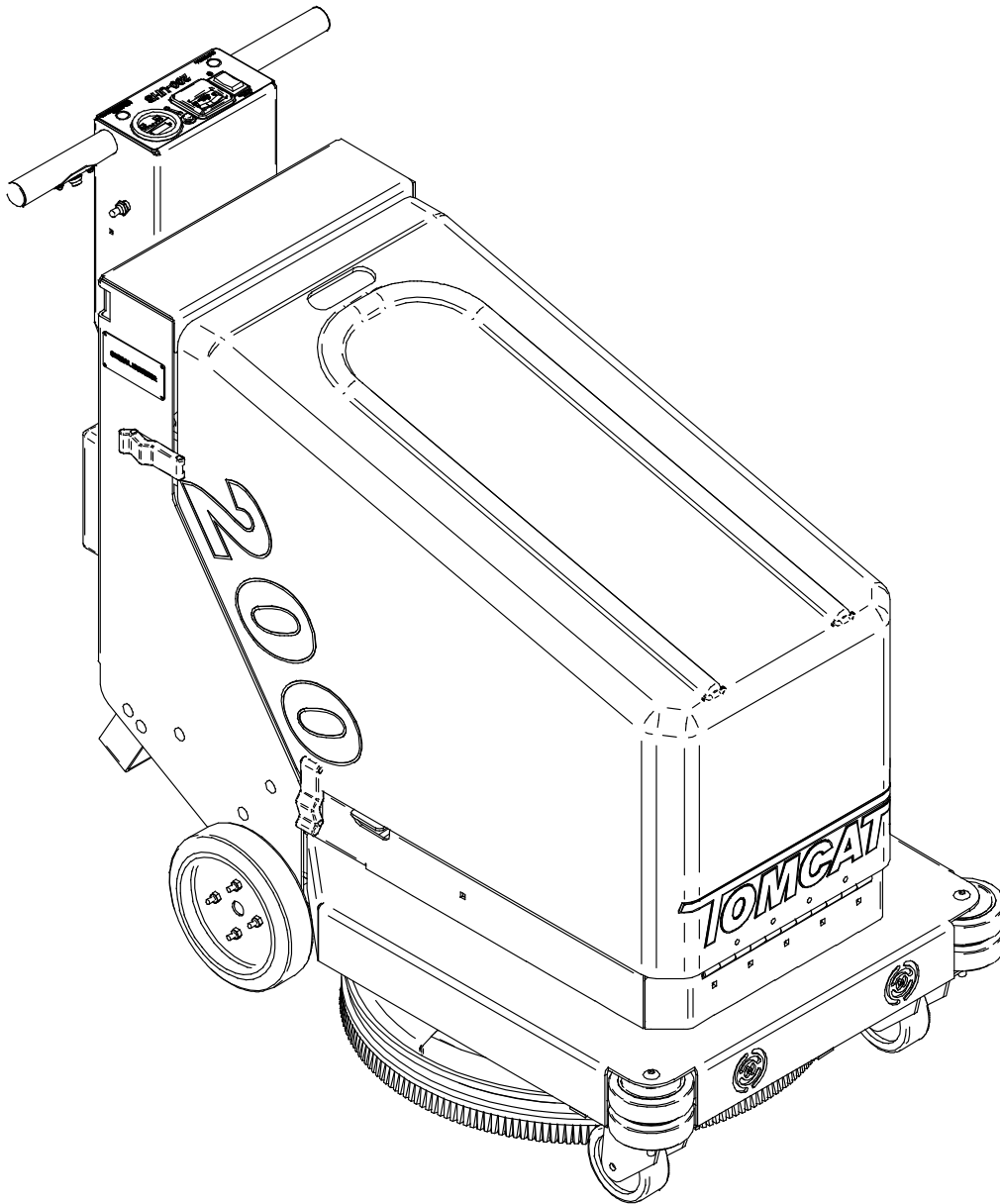


TOMCAT

200

Parts Manual (EN)



Read the Operators Manual before using the machine.



Read the Safety Messages before servicing machine.

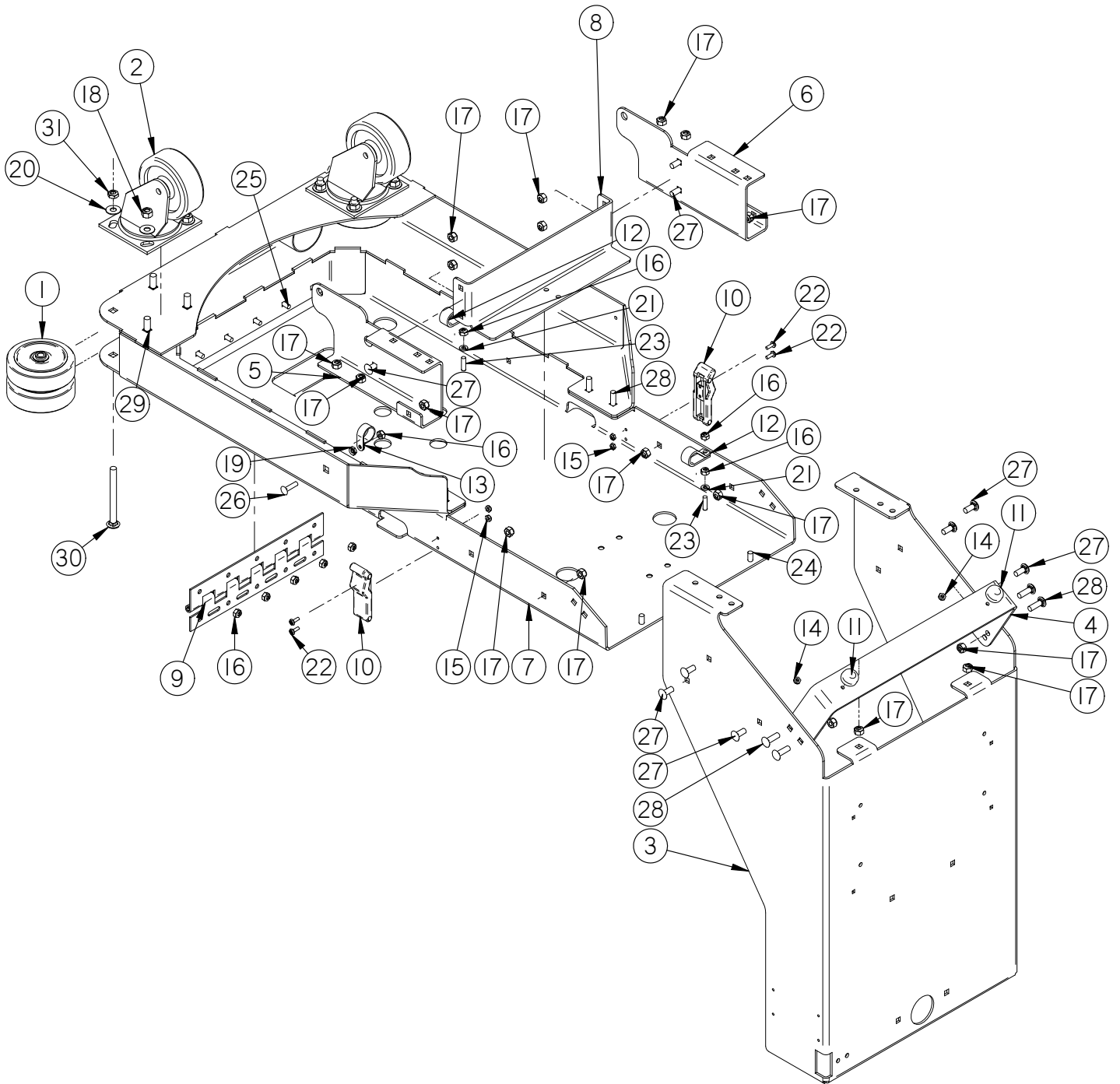
www.tomcatequip.com
1711 South Street
Racine, WI 53404 (USA)
(800) 450-9824 | (+001) 262-681-6470
© 2018 RPS Corporation

Scan With Phone for more Information



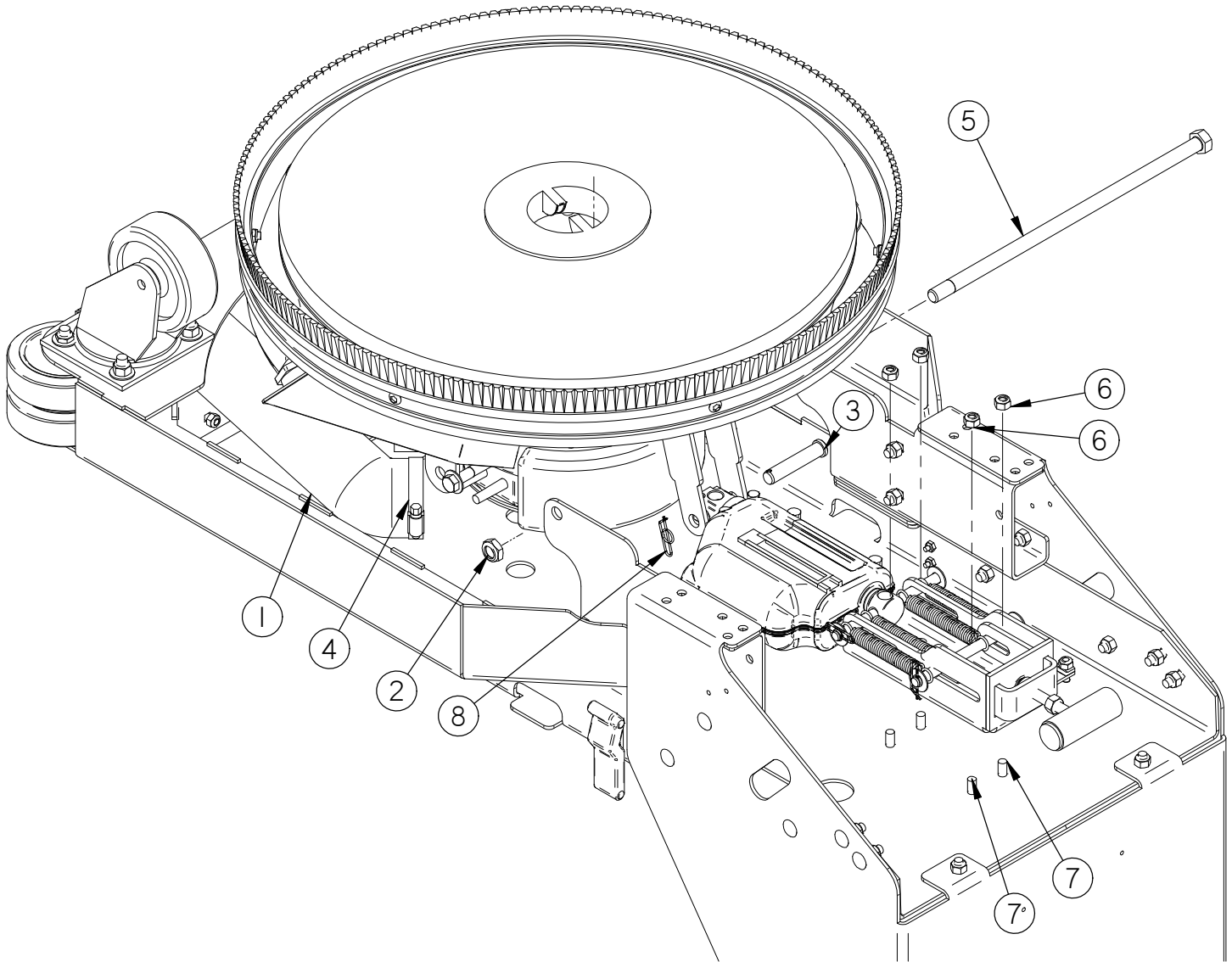
V18.015
TC-200-P-EN

Casters and Upright	4
Deck and Actuator	6
Actuator Slide	7
Burnisher Deck.....	8
Transaxle and Central Command	10
Central Command	12
Batteries and Charger	14
Pad Assist.....	16
Common Wear Parts	18
Suggested Parts Inventory	19



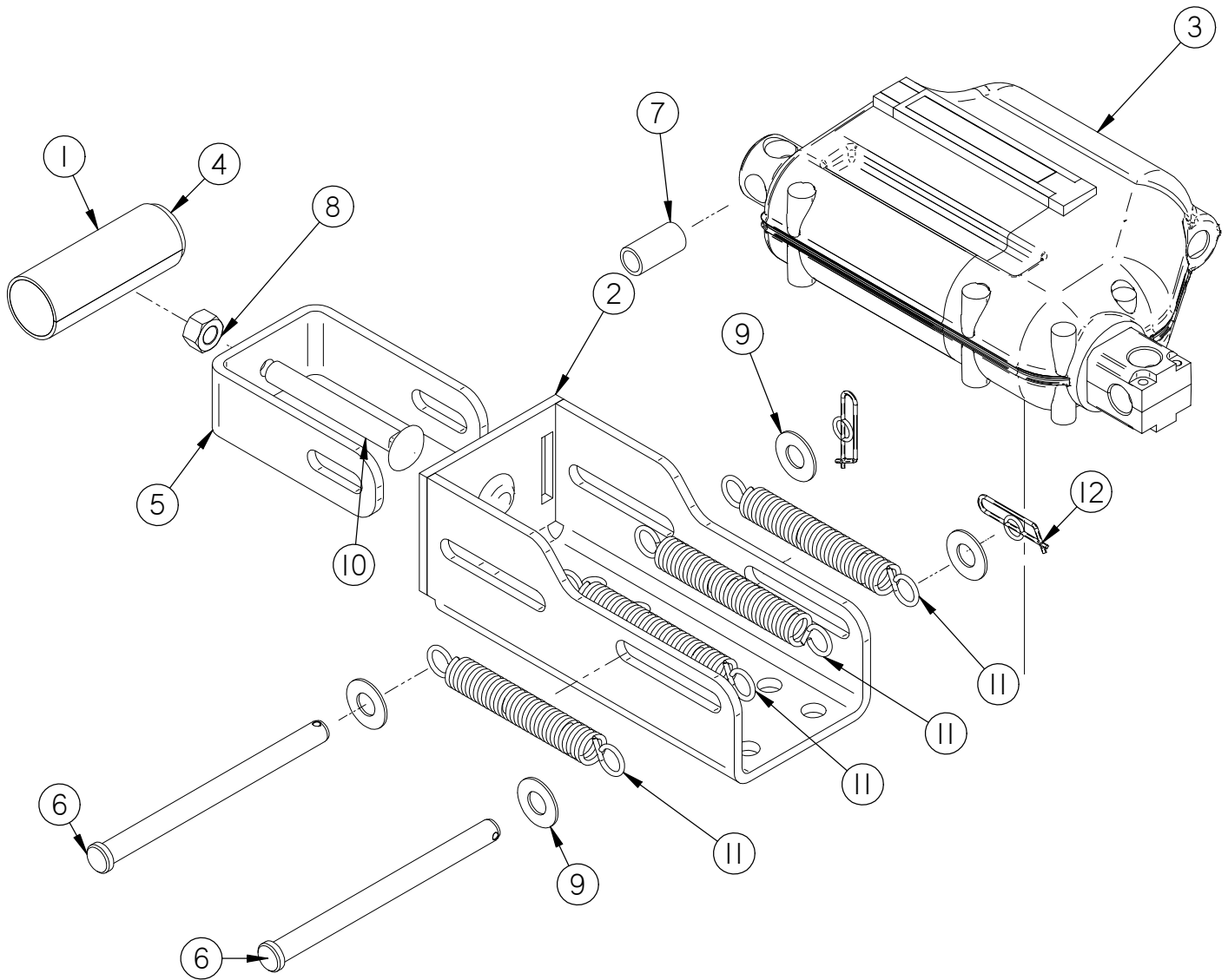
Casters and Upright

Item	Part No.	Part Description	Qty.
1	190-3030	4.0" WHEEL (GRAY)	4
2	190-3035	CASTER, NON-MARKING (RED)	2
3	200-1002	REAR UPRIGHT	1
4	200-1005	SUPPORT ARM	1
5	200-1009	REAR SUPPORT BRACKET - RH	1
6	200-1010	REAR SUPPORT BRACKET - LH	1
7	200-2000	200 MAIN FRAME	1
8	200-2001	FRAME STIFFENER	1
9	370-1225	11" SS HINGE	1
10	4-124	LATCH	2
11	H-01201	GROMMET	2
12	H-0127294	RUBBER LOOP CLAMP, 3/4"	2
13	H-0127296	LOOP CLAMP, 1.0"	1
14	H-0129154	JAM NYLOK #10-24 SS	2
15	H-70856	NYLOK #8-32 SS	4
16	H-70860	NYLOK 1/4"- 20 SS	9
17	H-70861	NYLOK 5/16" - 18 SS	20
18	H-70862	NYLOK 3/8"-16 SS	6
19	H-70925	KN 1/4-20 S/S	1
20	H-71017	FW 3/8" X 7/8" SS	8
21	H-71063	LW 1/4" SS	2
22	H-72398	PPH #8-32 X 1/2" S/S	4
23	H-73883	FHSCS 1/4- 20 X 1.0" S/S	2
24	H-73907	FHSCS 5/16"- 18 X 3/4" SS	2
25	H-74418	CB 1/4"- 20 X 5/8" S/S	5
26	H-74420	CB 1/4"- 20 X 1.0" SS	1
27	H-74429	CB 5/16"- 18 X 3/4" SS	10
28	H-74430	CB 5/16"- 18 X 1" SS	8
29	H-74436	CB 3/8"- 16 X 1.0" SS	6
30	H-74443	CB 3/8"- 16 X 4.0" SS	2
31	H-NJ06C	JNYL 3/8- 16 SS	2



Item	Part No.	Part Description	Qty.
1	200-0115	MOTOR VENT HOSE	1
2	H-0129159	JNYL, 1/2"-13, 18-8 SS	1
3	H-0156773	CLEVIS PIN, 1/2" X 2-1/2"	1
4	H-0427617	CLAMP 2" - 3"	4
5	H-15237	HCS 1/2"- 13 X 13" GRADE 8	1
6	H-70861	NYLOK 5/16" - 18 SS	4
7	H-73907	FHSCS 5/16"- 18 X 3/4" SS	4
8	H-RUE22	1/2" RUE RING COTTER	1

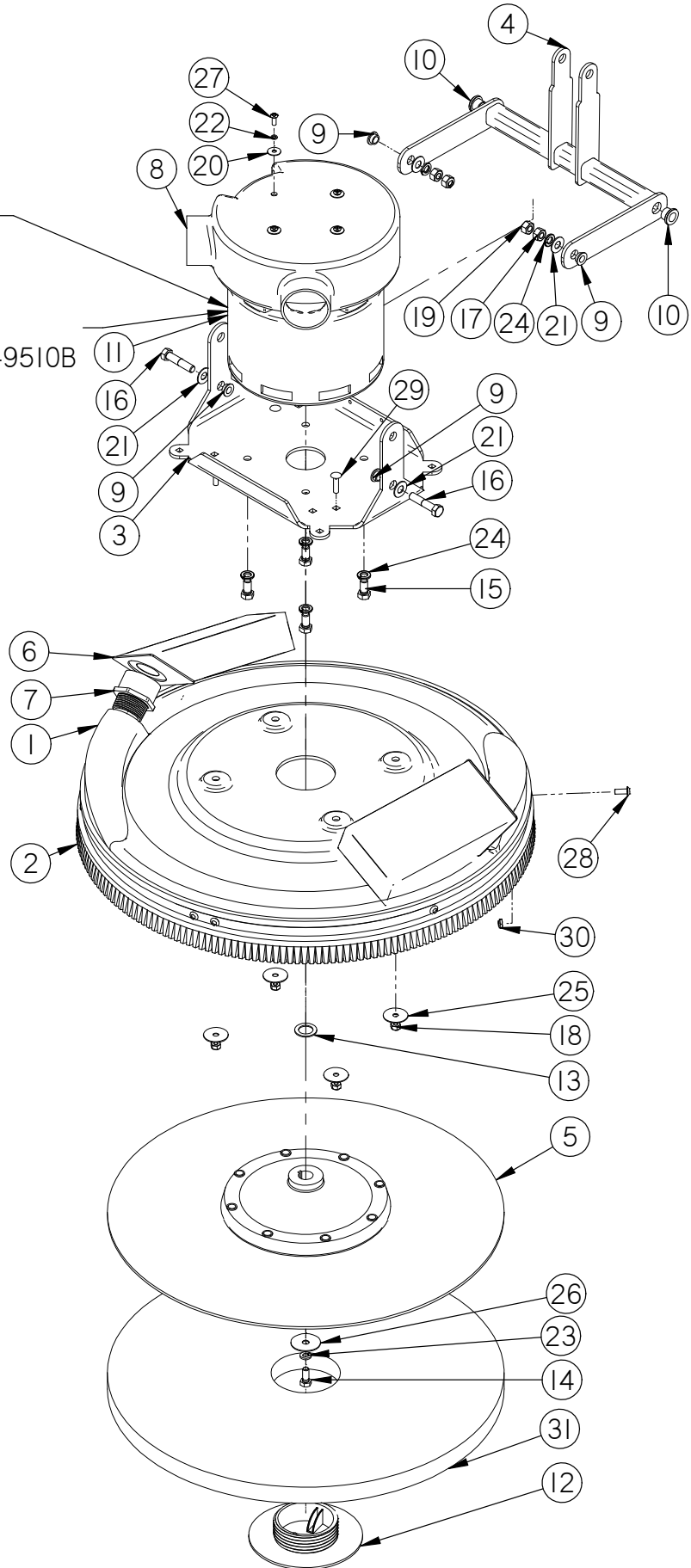
Actuator Slide



Item	Part No.	Part Description	Qty
1	200-0999	DOWN PRESSURE STICKER	1
2	200-1081	ACTUATOR SLIDE	1
3	200-2240	2 INCH STROKE 36 VOLT ACTUATOR	1
4	275-0999	HANDLE	1
5	275-1083	ACTUATOR SPRING AJUSTMENT BRACKET	1
6	H-04804	3/8" X 5" CLEVIS PIN	2
7	H-63917	SLEEVE, .50 OD X .375 ID X 1.0 LG	1
8	H-70712	HN 3/8"-16 SS	1
9	H-71017	FW 3/8 ID X 7/8 OD SS	4
10	H-74441	CB 3/8"- 16 X 3.0" SS	1
11	H-96544	SPRING, 4-1/8" LG, 9/16" OD	4
12	H-RUE14	3/8" RUE RING COTTER	2

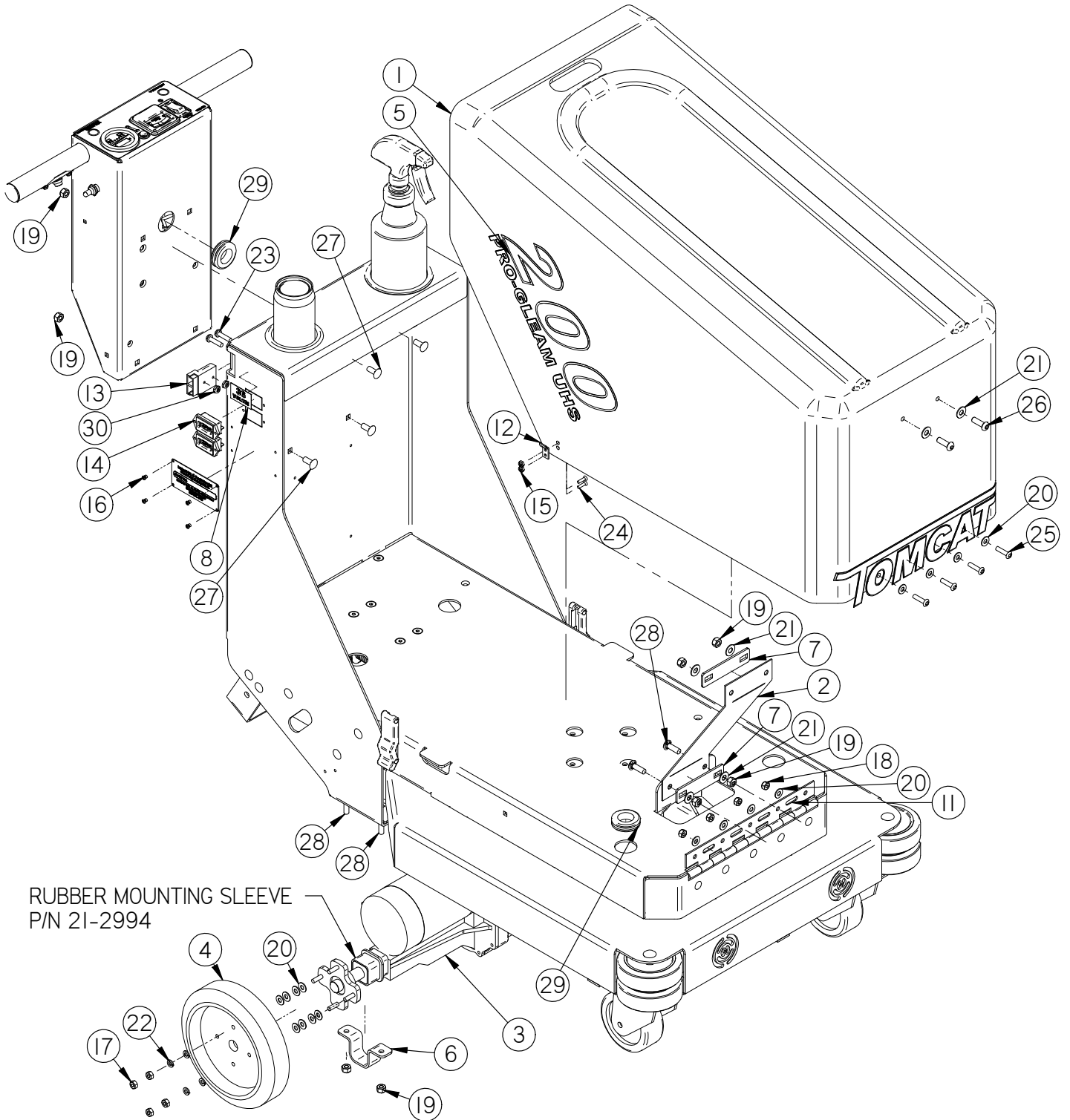
FOR MACHINES WITH HD MOTOR
USE PART NUMBER 275-9506
78 AMPS 2500 RPM 3 HP

REPLACEMENT CARBON BRUSHES
STANDARD MOTOR USE PART # 290-9510B
HD MOTOR USE PART# 275-9506B



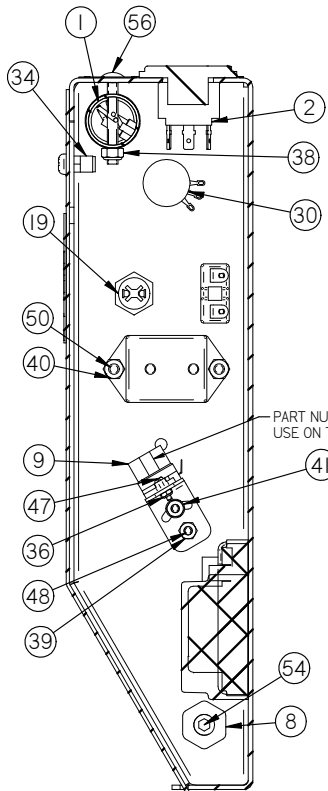
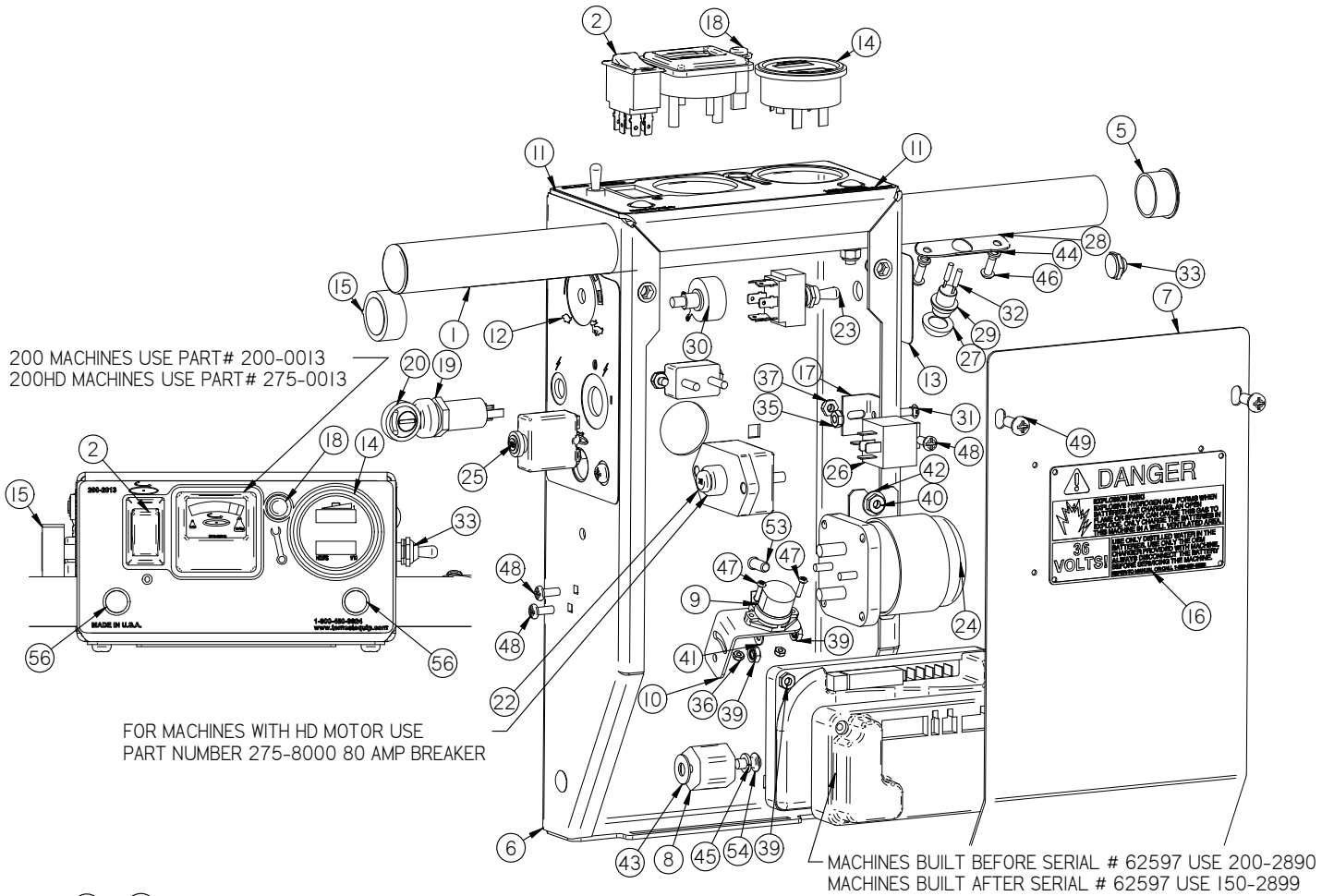
Burnisher Deck

Item	Part No.	Part Description	Qty
1	200-0001	20" BURNISHER SHROUD	1
2	200-0016	20" SHROUD CURTAIN	1
3	200-1006	SCRUB DECK	1
4	200-1240	LIFT ARM	1
5	200-9569	20" DRIVER PLATE	1
6	253-1103	FILTER BAG	2
7	275-1201	1-1/4 NPT TO 2" OD ADAPTER	2
8	275-9501	MOTOR COVER	1
9	290-1233	3/8" ID, 1/2" OD, 1/4" LG BEARING	4
10	290-1246	1/2" ID X 5/8" OD X 1/2" LG FLANGED BEARING	2
11	290-9501	BURNISHER MOTOR 36V 2000 RPM 65 AMP	1
12	40-434	SCREW IN PAD LOCK	1
13	H-00222	FW 3/4" ID X 1 1/8" OD X 3/32" SS	1
14	H-70091	HCS 5/16"- 24 X 3/4" SS	1
15	H-70102	HCS 3/8"-16 X 5/8" SS	4
16	H-70110	HCS 3/8"- 16 X 1-3/4" SS	2
17	H-70712	HN 3/8"-16 SS	2
18	H-70860	NYLOK 1/4"- 20 SS	4
19	H-70862	NYLOK 3/8"-16 SS	2
20	H-71010	FW #10 ID X 11/16 OD SS	4
21	H-71017	FW 3/8 ID X 7/8 OD SS	4
22	H-71059	LW #10, SS	4
23	H-71065	LW 5/16" SS	1
24	H-71067	LW 3/8" SS	6
25	H-71213	FNW 1/4" X 1-1/4" SS	4
26	H-71215	FNW 5/16 ID X 1-1/2 OD SS	1
27	H-72515	PPH #10-32 X 1/2" S/S	4
28	H-73753	BHSCS 1/4 - 20 X 5/8" SS	7
29	H-74420	CB 1/4"- 20 X 1.0" SS	4
30	H-NJ04C	JNYL 1/4" - 20 SS	7
31	SEE COMMON WEAR PARTS	BURNISHER PAD	1

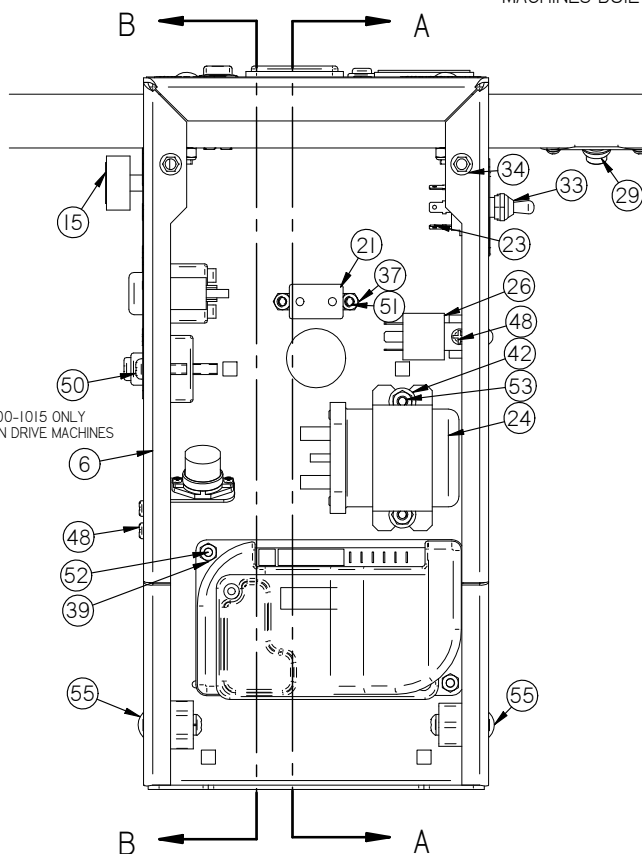


Transaxle and Central Command

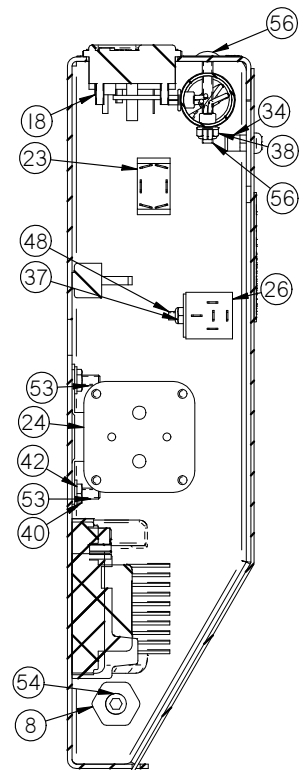
Item	Part No.	Part Description	Qty.
1	200-1001	200/240 COVER	1
2	200-1050	TANK STRAP, 17-1/2" LG X 4" WIDE	1
3	200-3000	36V TRANSAXLE	1
4	200-3010	WHEEL	2
5	200-9504	200 DECAIL	2
6	21-1010	AXLE MOUNT	2
7	253-1040	TANK STRAP SUPPORT	2
8	290-1506	36 VOLT STICKER	1
9	370-0014	CUP HOLDER	1
10	370-0014	CUP HOLDER	1
11	390-1225	11" SS HINGE	1
12	4-124	CLIP, LATCH	2
13	4-260	CONNECTOR, GREY 50	1
14	8-262	HOUR METER	2
15	H-0170996	JAM NYLOK #8-32 SS	4
16	H-41007	AB4-3A BLIND RIVET	4
17	H-70710	HN 1/4"- 20 SS	4
18	H-70860	NYLOK 1/4"- 20 SS	4
19	H-70861	NYLOK 5/16" - 18 SS	13
20	H-71013	FW 1/4 ID X 5/8 OD SS	24
21	H-71015	FW 5/16 ID X 3/4 OD SS	6
22	H-71063	LW 1/4" SS	4
23	H-72592	PPH 1/4-20 X 1" SS	2
24	H-72643	FHP #8-32 X 5/8" SS	4
25	H-73755	BHSCS 1/4 - 20 X 1" SS	4
26	H-73780	BHSCS 5/16-18 X 1	2
27	H-74429	CB 5/16"- 18 X 3/4" SS	4
28	H-74430	CB 5/16"- 18 X 1" SS	6
29	H-9307K74	GROMMET, 1" ID X 1-3/4" OD BUNA-N	2
30	H-NJ04C	JNYL 1/4" - 20 SS	2



SECTION B-B



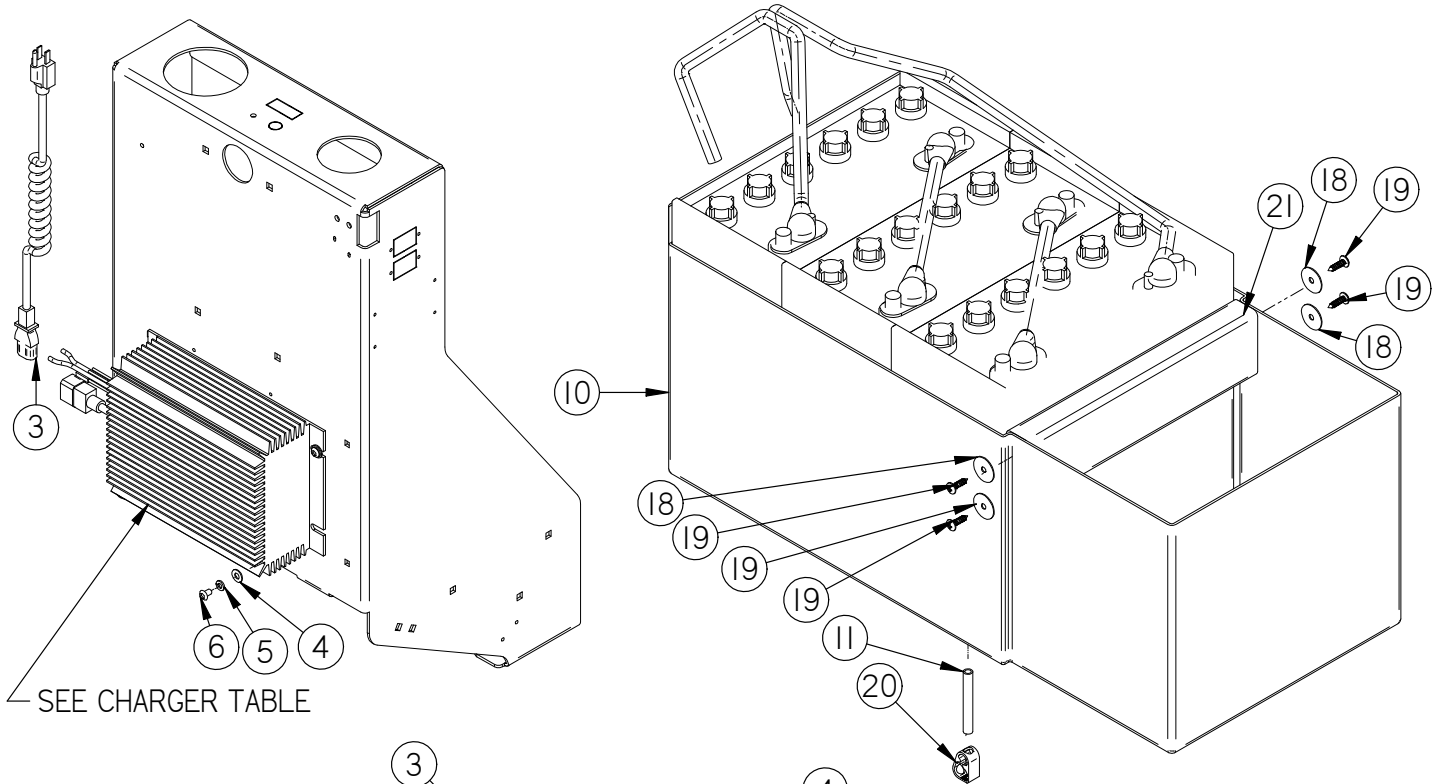
SECTION A-A



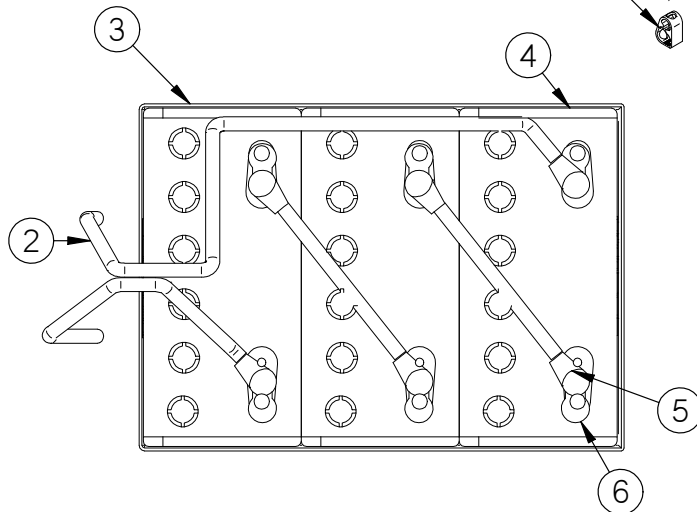
SECTION A-A

Central Command

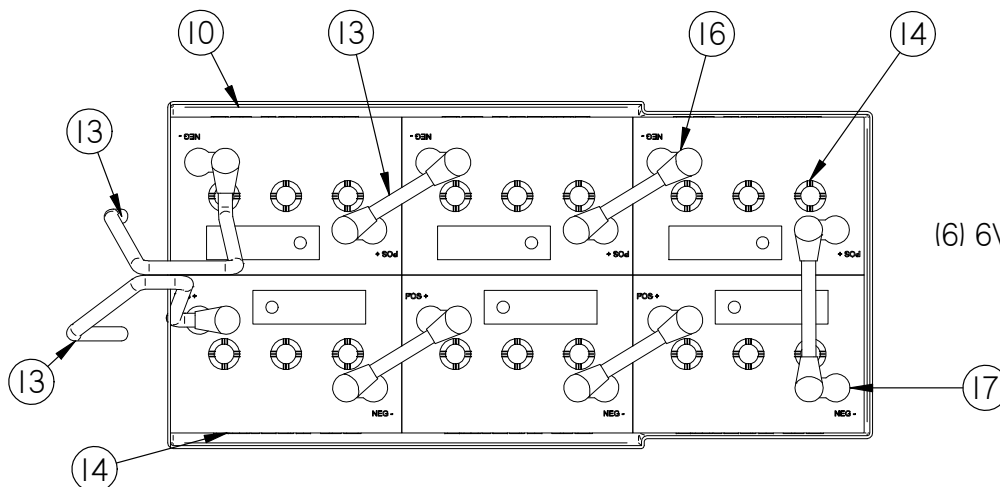
Item	Part No.	Part Description	Qty
1	170-1040	HANDLE BAR	1
2	170-2340	SWITCH, ROCKER, DPDT, ON/ON	1
3	190-1041	RED WIRE, 16 GAGE, 12" LG	1
4	190-1042	YELLOW WIRE, 16 GAGE, 12" LG	1
5	190-1390	END CAP	2
6	200-1003	TRACTION DRIVE CONTROL PANEL	1
7	200-1007	CONTROL PANEL COVER	1
8	200-1011	SWITCHBOARD INSULATOR	2
9	200-1015	TILT SWITCH	1
10	200-1016	TILT SWITCH BRACKET	1
11	200-2013	200 CONTROL PANEL TOP STICKER	1
12	200-2014	200 CONTROL PANEL SIDE STICKER	1
13	200-2021	200/270 REVERSE STICKER	1
14	200-4855	36V BATTERY AND HOUR METER	1
15	21-4520	SPEED CONTROL KNOB, RED	1
16	250-7290	36V BATTERY WARNING PLATE	1
17	290-2020	BRACKET	1
18	290-2310	FULL RECOVERY (RED)	1
19	290-234	KEY SWITCH (WITH KEY)	1
20	290-234A	KEY SET (REPLACE)	1
21	290-2815	CIR. BREAKER - 15A, 24V	1
22	290-7000	70 AMP BREAKER	1
23	370-2830	SWITCH, TOGGLE, MOM/OFF/MOM (DPDT)	1
24	390-2331	36V 200 AMP RELAY	1
25	390-9615	FUSE, RESETTABLE, 15 AMP, 50V DC MAX	1
26	5-293	15 AMP RELAY	1
27	7-227	BUTTON COVER	1
28	7-228	SWITCH MOUNT PLATE	1
29	7-229D	PUSH BUTTON SWITCH	1
30	7-292	5K POTENTIOMETER	1
31	H-0172518	CB #10-32 X 1/2" SS	1
32	H-108	HEAT SHRINK	2
33	H-11196	PROTECTIVE BOOT, TOGGLE SWITCH, (RED)	1
34	H-250HCN	HCN 1/4"-20	2
35	H-37408	KN #10-32	1
36	H-70854	NYLOK #4-40 SS	2
37	H-70858	NYLOK #10-32 SS	3
38	H-70860	NYLOK 1/4"- 20 SS	2
39	H-70923	KN #10-32 SS	4
40	H-70925	KN 1/4-20 S/S	4
41	H-71009	FW #10 SS	1
42	H-71013	FW 1/4 ID X 5/8 OD SS	2
43	H-71015	FW 5/16 ID X 3/4 OD SS	2
44	H-71057	LW #8, SS	2
45	H-71063	LW 1/4" SS	2
46	H-72398	PPHMS #8-32 X 1/2" SS	2
47	H-72486	PPH #4-40 X 1/2" S/S	2
48	H-72515	PPH #10-32 X 1/2" S/S	3
49	H-72588	PPH 1/4-20 X 5/8" SS	2
50	H-72592	PPH 1/4-20 X 1" SS	2
51	H-72682	FHP #10-32 X 1/2" SS	2
52	H-72684	FHP 10-32 X 3/4" SS	2
53	H-72708	FHP 1/4"- 20 X 3/4"	2
54	H-73752	BHSCS 1/4 - 20 X 1/2" SS	2
55	H-74417	CB 1/4"- 20 X .5" SS	2
56	H-74423	CB 1/4"- 20 X 2.0" SS	2



SEE CHARGER TABLE



(3) 12V 36V OPTION



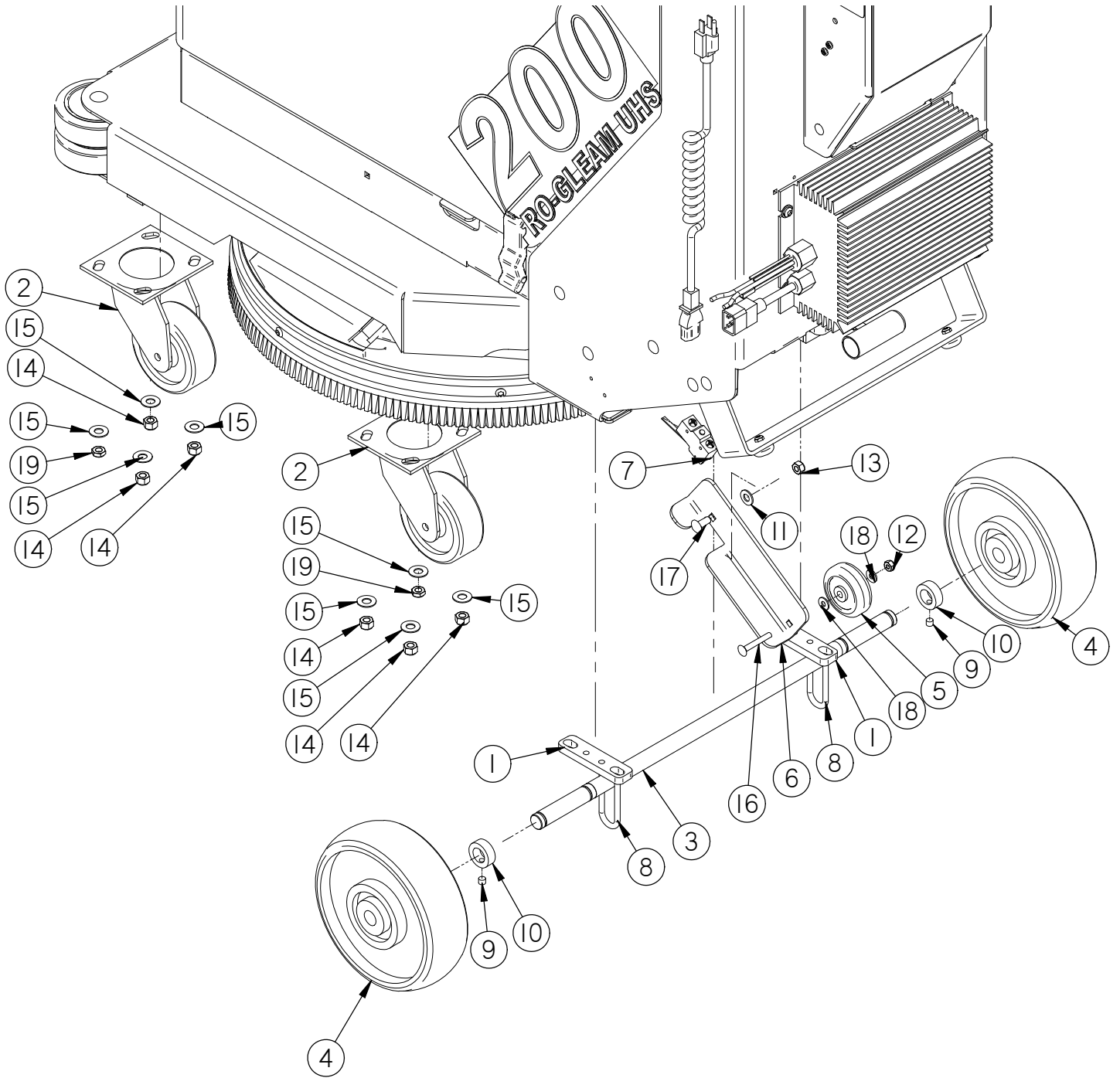
(6) 6V 36V OPTION

Batteries and Charger

Charger table					
Model	Battery	Off-Board (US)	Off-Board (Euro)	On-Board (US)	On-Board (Euro)
200/270	4-271 (185 Ah)	250-2440	250-2442	250-2445	250-2446
	250-2113 (240 Ah)	250-2440	250-2442	250-2445	250-2446
	250-2114 (M-Free)	250-2450	250-2451	250-2452	250-2453

Item	Part No.	Part Description	Qty.
1*	200-1608	BLACK HOSE, 3-1/4" LG	1
2	200-1900	12 VOLT BATTERY CABLE KIT	1
3	270-0001	36V. (3) 12V. BATTERY TRAY	1
4	270-271	BATTERY 12 V 215 AH	3
5	H-40031	BATTERY BOOT	6
6	H-400317	TERMINAL COVER	6
7*	M-503IK12	CLAMP STYLE PINCH VALVE	1

Item	Part No.	Part Description	Qty.
10	200-0000	BATTERY BOX	1
11	200-1608	BLACK HOSE, 3-1/4" LG	1
12*	200-1900	12 VOLT BATTERY CABLE KIT	1
13	200-1901	6 VOLT BATTERY CABLE KIT	1
14	250-2110	BATTERY 6 V 245 AH	6
15*	270-271	BATTERY 12 V 215 AH	3
16	H-40031	BATTERY BOOT	18
17	H-400317	TERMINAL COVER	18
18	H-71213	FNW 1/4" X 1-1/4" SS	4
19	H-71894	#14 X 1" SELF TAPPING SCREW	4
20	M-503IK12	CLAMP STYLE PINCH VALVE	1
21	T-2901495SI487	BATTERY SPACER. 14.875"	1



Pad Assist

Item	Part No.	Part Description	Qty.
1	170-1270	TRACTION SPACER	2
2	170-3030	CASTER, NON-MARKING	2
3	200-1170	AXLE	1
4	200-3011	WHEEL	2
5	21-7570	BACK UP WHEEL (GREY)	1
6	270-7220	TIP BACK SWITCH ARM	1
7	5-223	LIMIT SWITCH	1
8	H-0175687	1/4-20 X 3/4" U-BOLT	2
9	H-25435	SSS CP 5/16" X 1/4"	2
10	H-33376	SET SCREW SHAFT COLLAR, 3/4" ID X 9/16 LG	2
11	H-4440024	FW 3/8" X 3/4" NYLON	1
12	H-70860	NYLOK 1/4"- 20 SS	1
13	H-70861	NYLOK 5/16" - 18 SS	1
14	H-70862	NYLOK 3/8"-16 SS	6
15	H-71017	FW 3/8 ID X 7/8 OD SS	8
16	H-74396	CB 1/4"- 20 X 1-3/4" SS	1
17	H-74429	CB 5/16"- 18 X 3/4" SS	1
18	H-76061	FW 1/4" NYLON	2
19	H-NJ06C	JNYL 3/8- 16 SS	2

Common Wear Parts

Pad	Results	Part Number
Aqua Burnish Pad	Aqua Burnish Pad is synthetic fibers recommended for frequent burnishing on soft to medium floor finishes.	20-310020
Natural Blend White Pad	Natural Blend White Pad is a mixture of natural hair and synthetic fibers for best gloss on various finishes and traffic conditions.	20-330020
Tan Burnish Pad	Tan Burnish Pad is synthetic fibers for harder finishes or high-traffic areas. Produces a brilliant wet-look gloss. Best mark removal.	20-340020
Tan Natural Burnisher Pad	Tan Natural Burnisher Pad is a mixture of natural hair and synthetic fiber for scratch and scuff removal on harder finishes or high-traffic areas.	20-350020
Pink Eraser Burnisher Pad	Pink Eraser Burnisher Pad is synthetic fibers designed to remove black scuff marks in fewer passes and is ideal for heavy-traffic floors.	20-360020

Suggested Parts Inventory

200 Suggested Parts Inventory

Quantity	Part #	Description
2	190-3035	Front Wheel Caster
4	190-3030	4.0"
2	H-73815	Side Wheel Bolt
2	4-124	Latch
2	255-1103	Vacuum Bags
2	200-3010	Rear Tires
2	200-9504	200 Stickers

BLANK

THIS PAGE WAS INTENTIONALLY LEFT BLANK

BLANK
THIS PAGE WAS INTENTIONALLY LEFT BLANK

TOMCAT[®]

1711 South Street
Racine, WI 53404
www.tomcatequip.com
Tel. US: 800-450-9824
Tel. Int: (001) 262-681-6470